

NX-MOUNT-FLT-M / NX-MOUNT-FLT-L

Medium & Large Flat Mount

INSTRUCTION MANUAL



NXG[®]
TECHNOLOGY

CAUTION: DO NOT EXCEED MAXIMUM LISTED WEIGHT CAPACITY. SERIOUS INJURY OR PROPERTY DAMAGE MAY OCCUR!

Flat Mount: Medium (M) / Large (L)

Max Screen Size: 55" (M) / 70" (L)

Max weight: 100lbs (M) / 150lbs (L)



Congratulations on the purchase of your new TV Mount. At NXG Technology we design our products to be simple to use, durable, & functional.

Like all NXG products, our mount line has evolved from hours of rigorous testing by our engineers and customers and were designed to provide you with years of enjoyment.

Please take a moment to review the installation instructions to ensure that you get the most from your new mount.

support@nxgtechnology.com

DISCLAIMER – WARNING INFORMATION

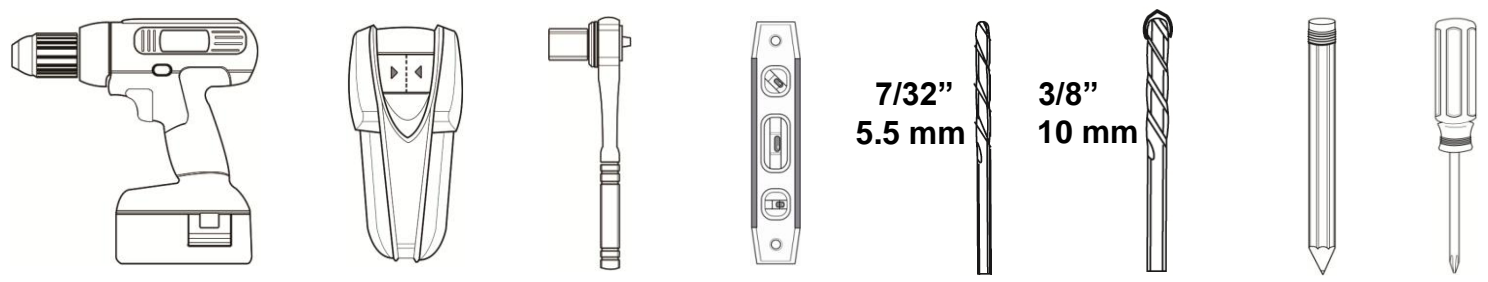
Disclaimer – NXG™ has extended every effort to ensure to accuracy and completeness of this manual. However, NXG does not claim that the information covers all installation and or operational variables. The information contained in this document is subject to change without notice or obligation of any kind. Regarding the information contained herein, NXG makes no representation of warranty, expressed or implied, and assumes no responsibility for accuracy, sufficiency, or completeness of the information contained in this document.

WARNING: FAILURE TO READ, THOROUGHLY UNDERSTAND, AND FOLLOW ALL INSTRUCTIONS CAN RESULT IN SERIOUS PERSONAL INJURY, DAMAGE TO PERSONAL PROPERTY, OR VOIDING OF FACTORY WARRANTY!

It is the responsibility of the installer to ensure all components are properly assembled and installed using the instructions provided. If you do not understand these instructions or have any questions or concerns, please send questions to **support@nxgtechnology.com**

Do not attempt to install or assemble this product if the product or hardware is damaged or missing. The included hardware is designed for use on vertical walls constructed of wood studs or solid concrete. A wood stud wall is defined as consisting of a minimum of 2x4 wooden studs (2" wide by 4" deep) with a maximum of 5/8" drywall. The included hardware is not designed for use with metal studs or cinderblock walls. If you're uncertain about the construction of your wall, then please consult a qualified contractor or installer for assistance. For a safe installation, the wall you are mounting to must support 4 times the weight of the total load. If not, then the surface must be reinforced to meet this standard. The installer is responsible for verifying that the wall structure and hardware used in any installation method will safely support the total load.

TOOLS NEEDED

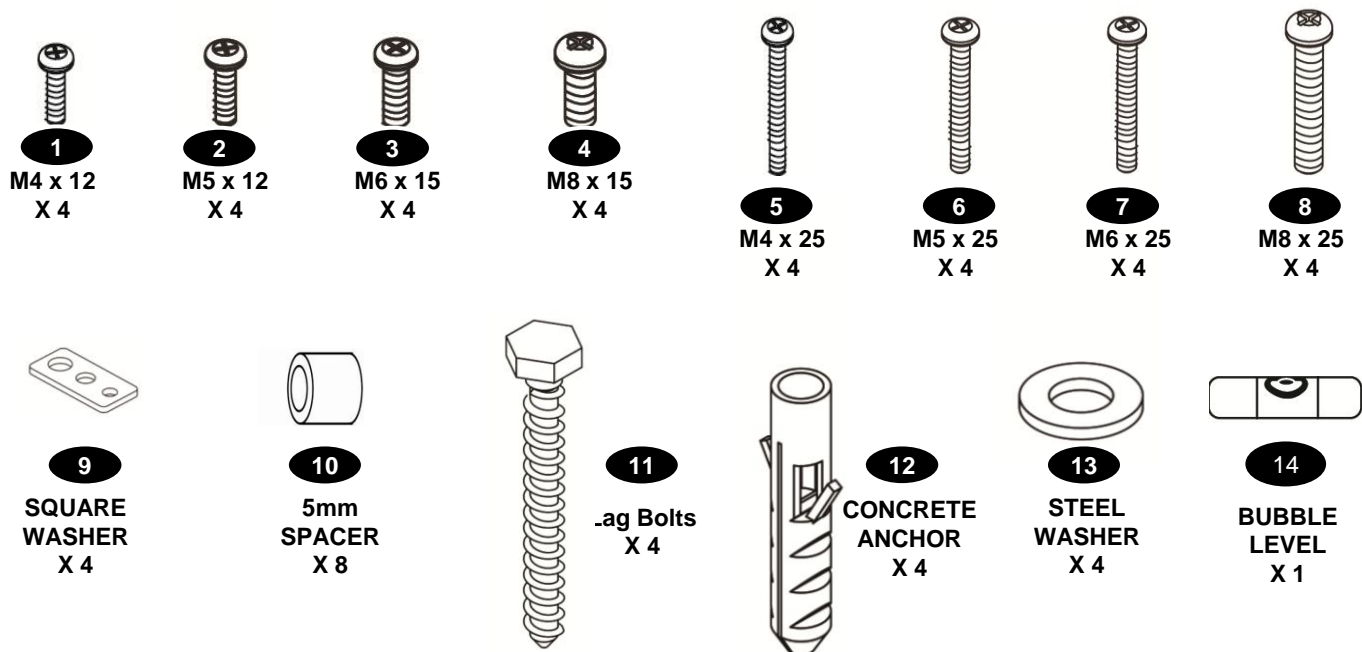


SYMBOLS



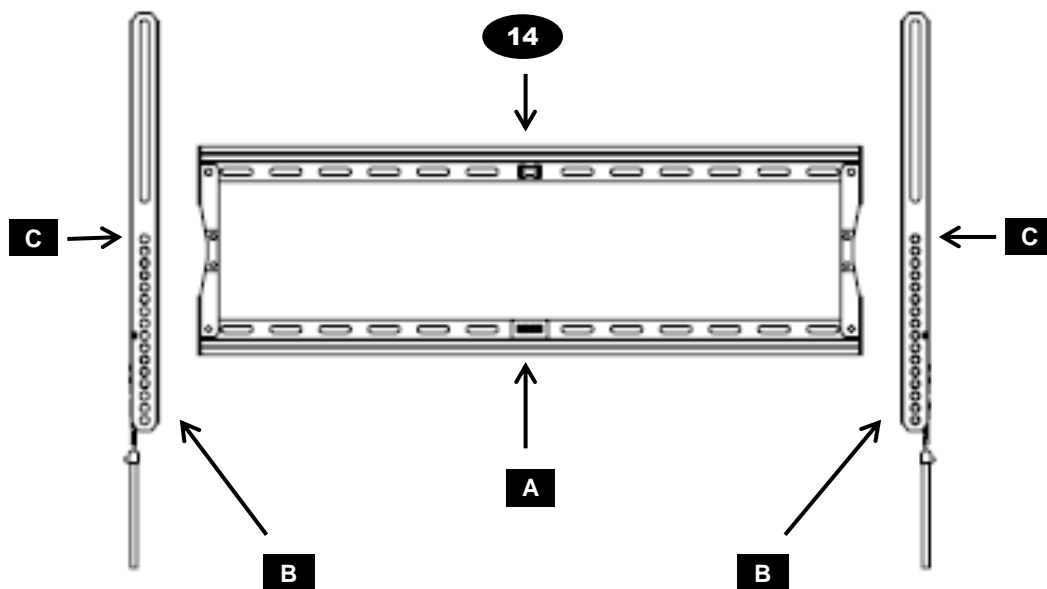
Drill Level Socket Wrench Caution Tighten Pencil Mark Screwdriver Heavy!

HARDWARE PART NUMBERS



PRODUCT COMPONENT PARTS

Universal Adapter Range (W x H)
 Minimum: 100mm x 100mm (Medium and Large)
 Maximum: 430mm x 400mm (Medium)
 Maximum: 660mm x 400mm (Large)

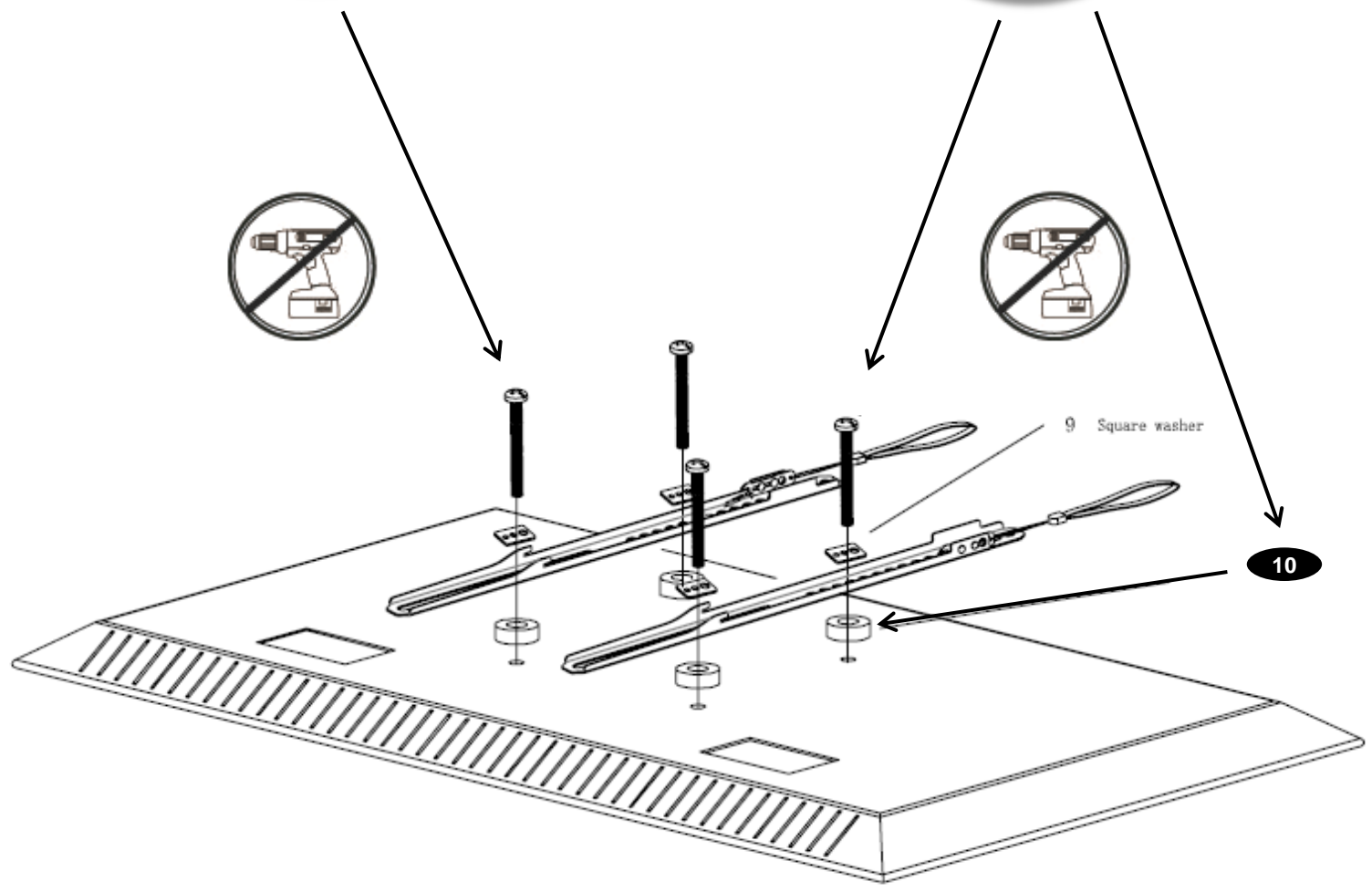
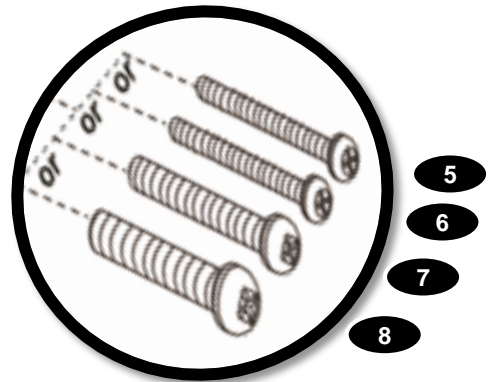
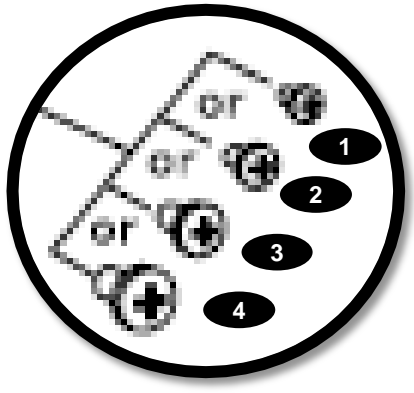


Product Components			
		Qty	Description
Part #	14	1	Bubble Level
Contents			
A	1		Wall Plate
B	2		Vertical Rails
C	1		Locking Mechanism

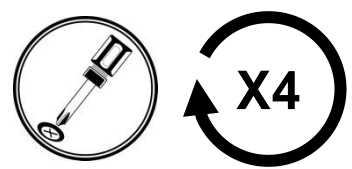
STEP 1- ATTACH VERTICAL RAILS TO BACK OF FLAT PANEL

Hardware 1, 2, 3, & 4 to be used with panels when back of panel is flat with no obstructions.

Hardware 5, 6, 7, & 8 to be used with spacers **10** to provide clearance for cables and connectors when necessary

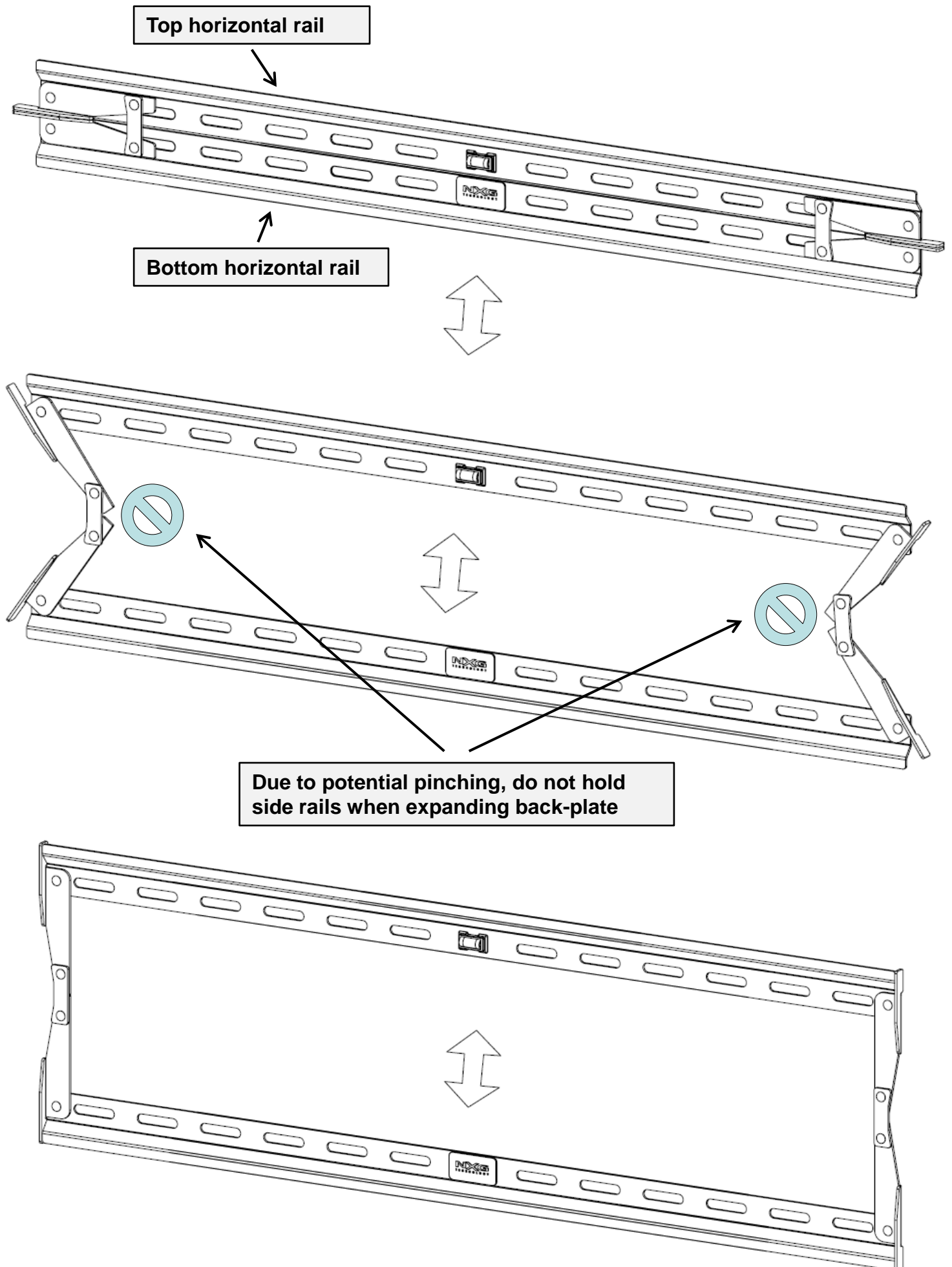


Place flat panel face down carefully on flat surface (use blanket or towel to protect front of flat panel) and attach vertical rails



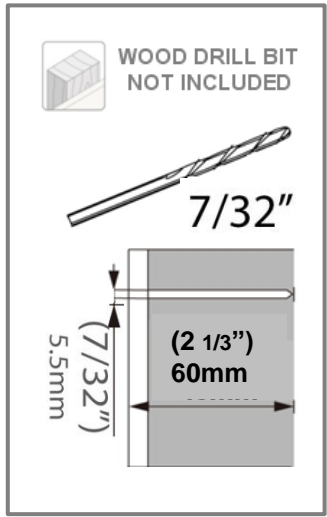
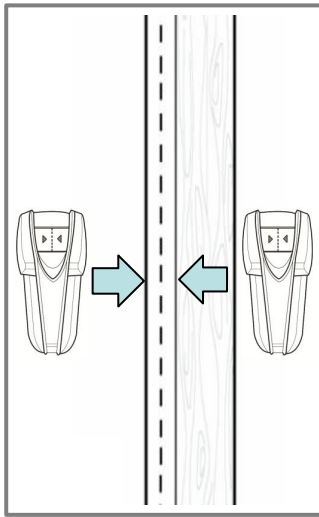
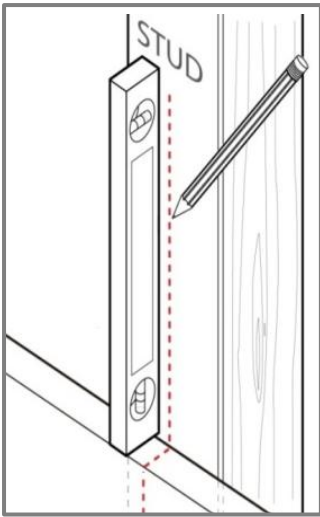
STEP 2- EXPAND WALL PLATE TO OPEN POSITION

Hold top and bottom horizontal rails and open wall plate.



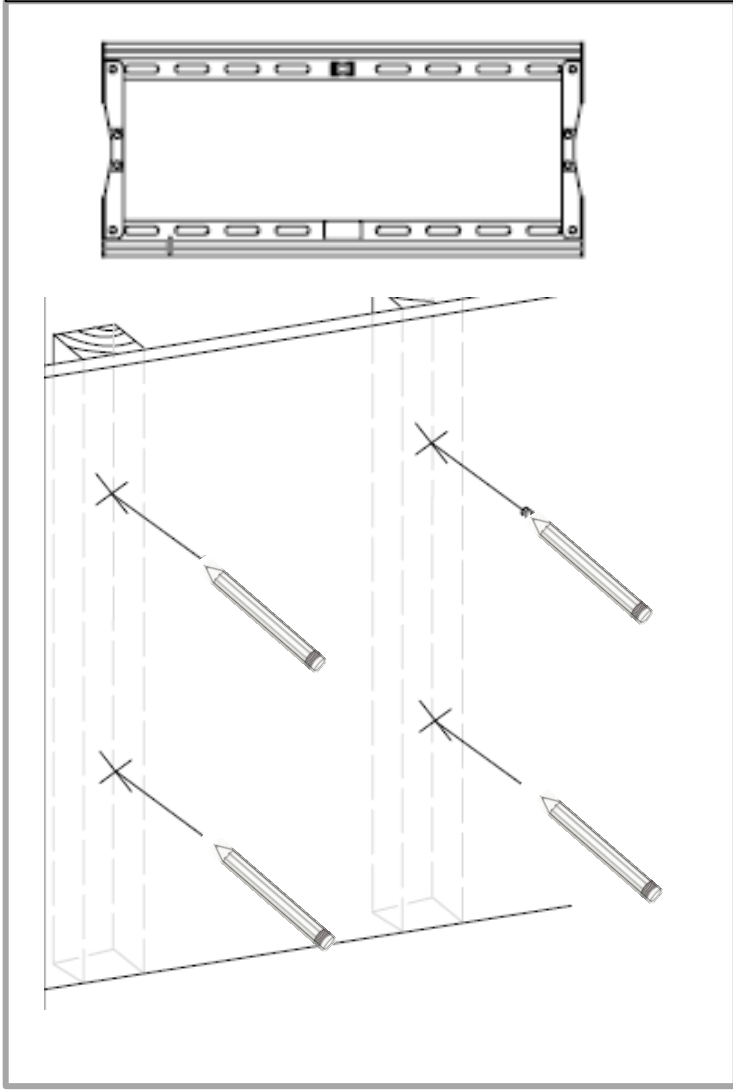
STEP 3- WOOD STUD INSTALLATION (CONCRETE INSTALLATION SKIP TO 4)

Find stud, mark edge and drill pilot holes in center locations

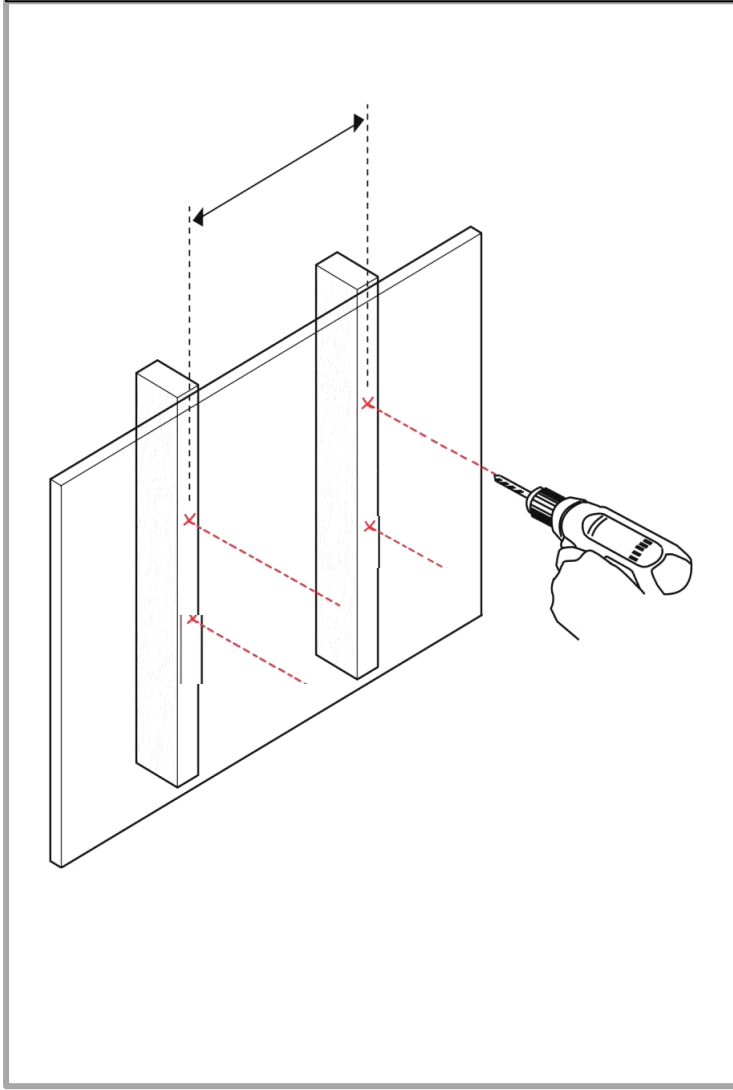


STEP 3 A & B – LOCATE WOOD STUDS AND DRILL PILOT HOLES

Mark center of wood using stud finder and pencil, use wall plate to level and mark pilot holes.

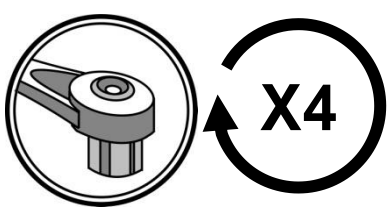
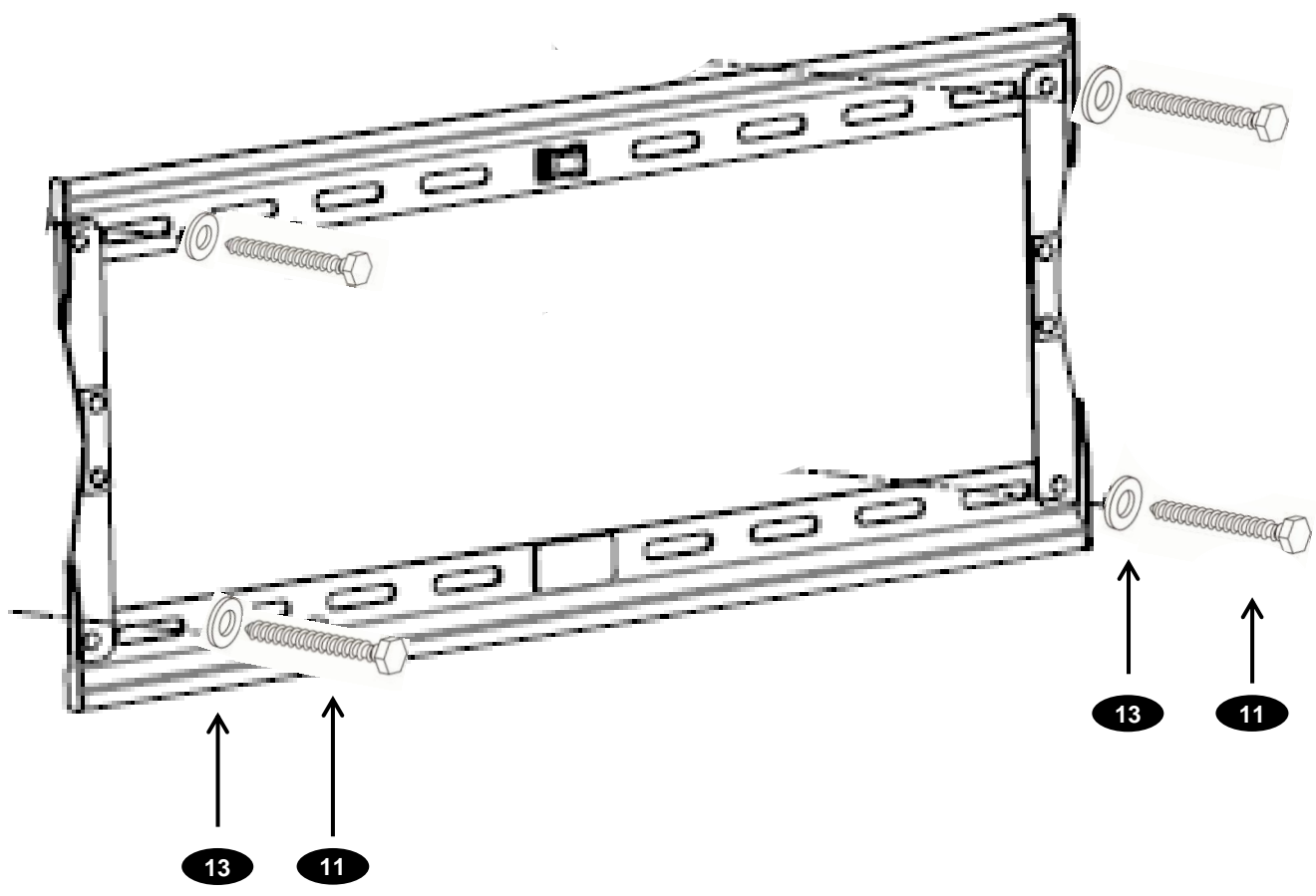


Drill 4- pilot holes



STEP 3 C – MOUNT WALL PLATE TO WALL

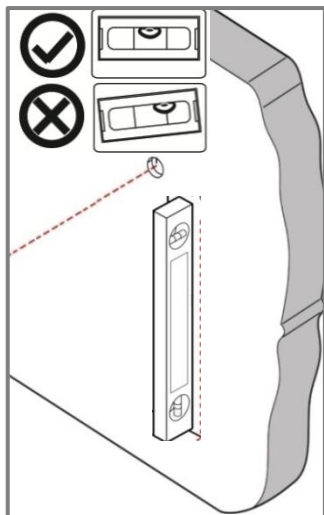
16" STUD (Medium Fixed Mount)
16" or 24" STUD (Large Fixed Mount)



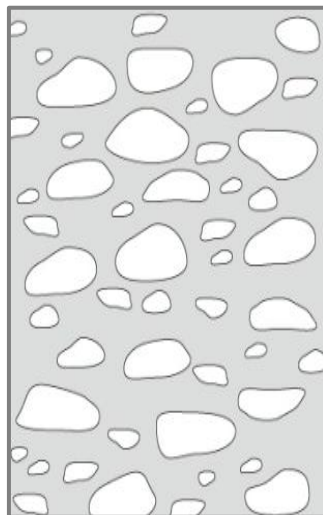
STEP 4 – SOLID CONCRETE INSTALLATION

Use wall plate to mark mounting locations/ drill pilot holes

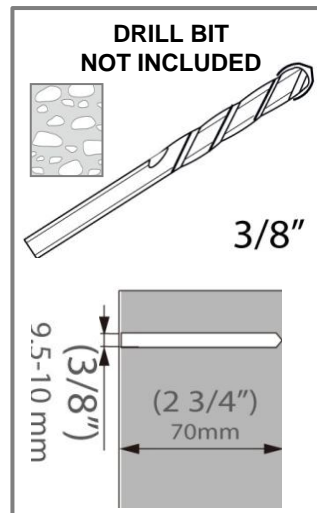
Level



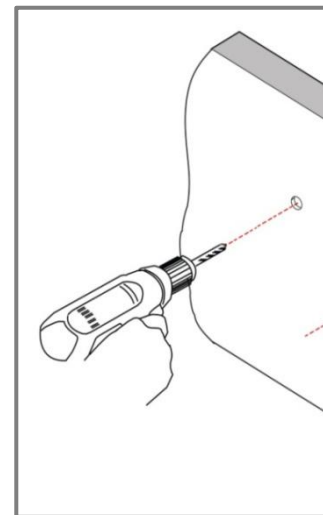
Solid Concrete



Drill Bit

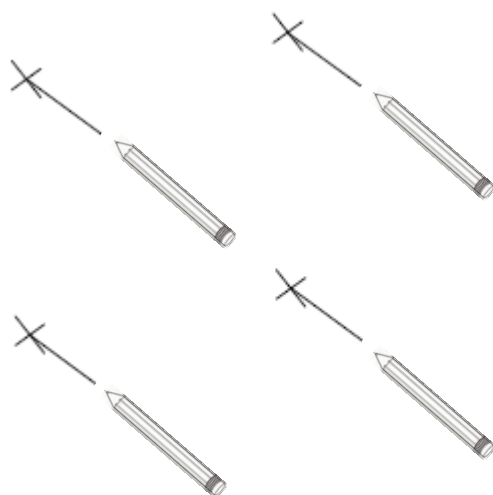


Drill Pilot Hole

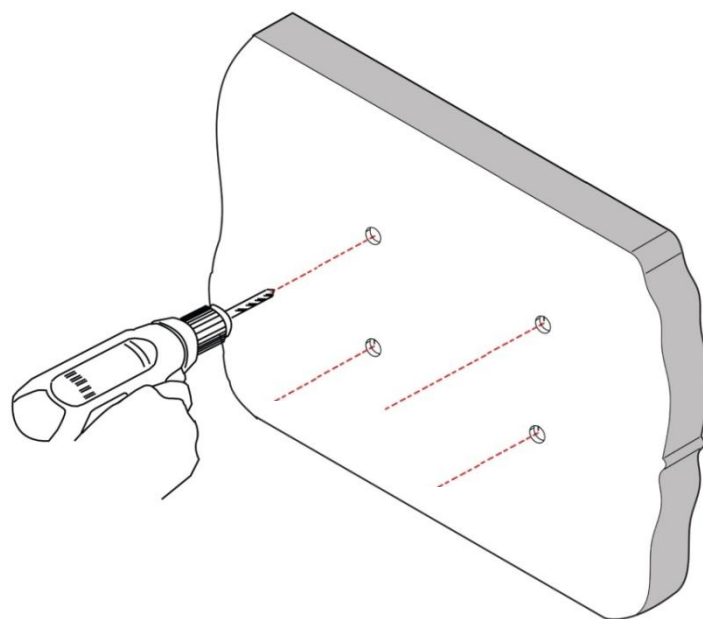


STEP 4 A & B – POSITION WALL PLATE, MARK, & DRILL PILOT HOLES

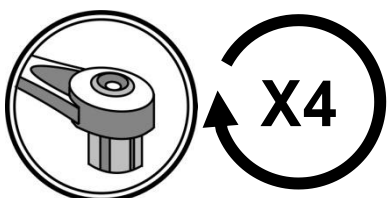
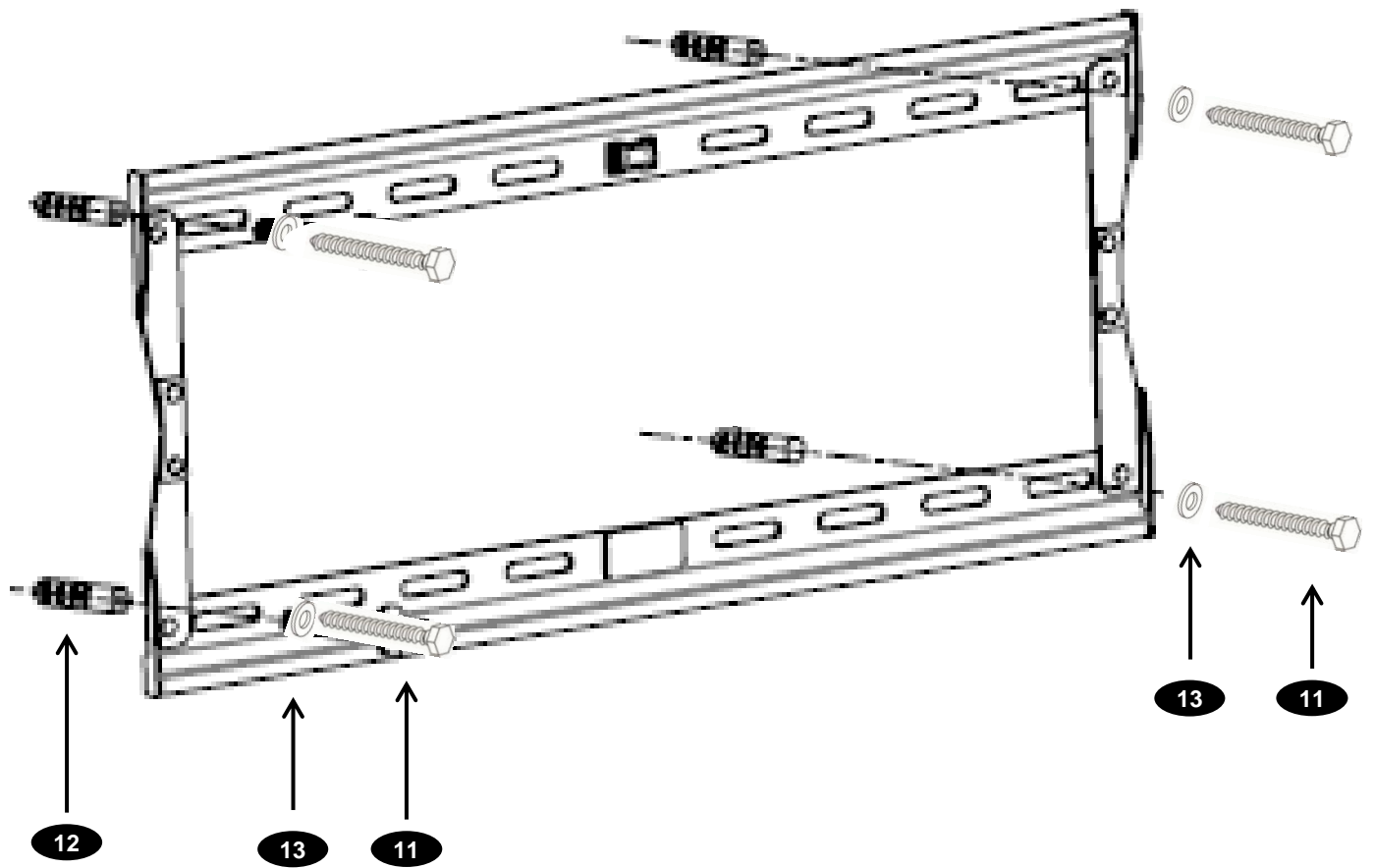
Position wall plate to desired location, level, and mark pilot locations with pencil.



Drill 4- pilot holes

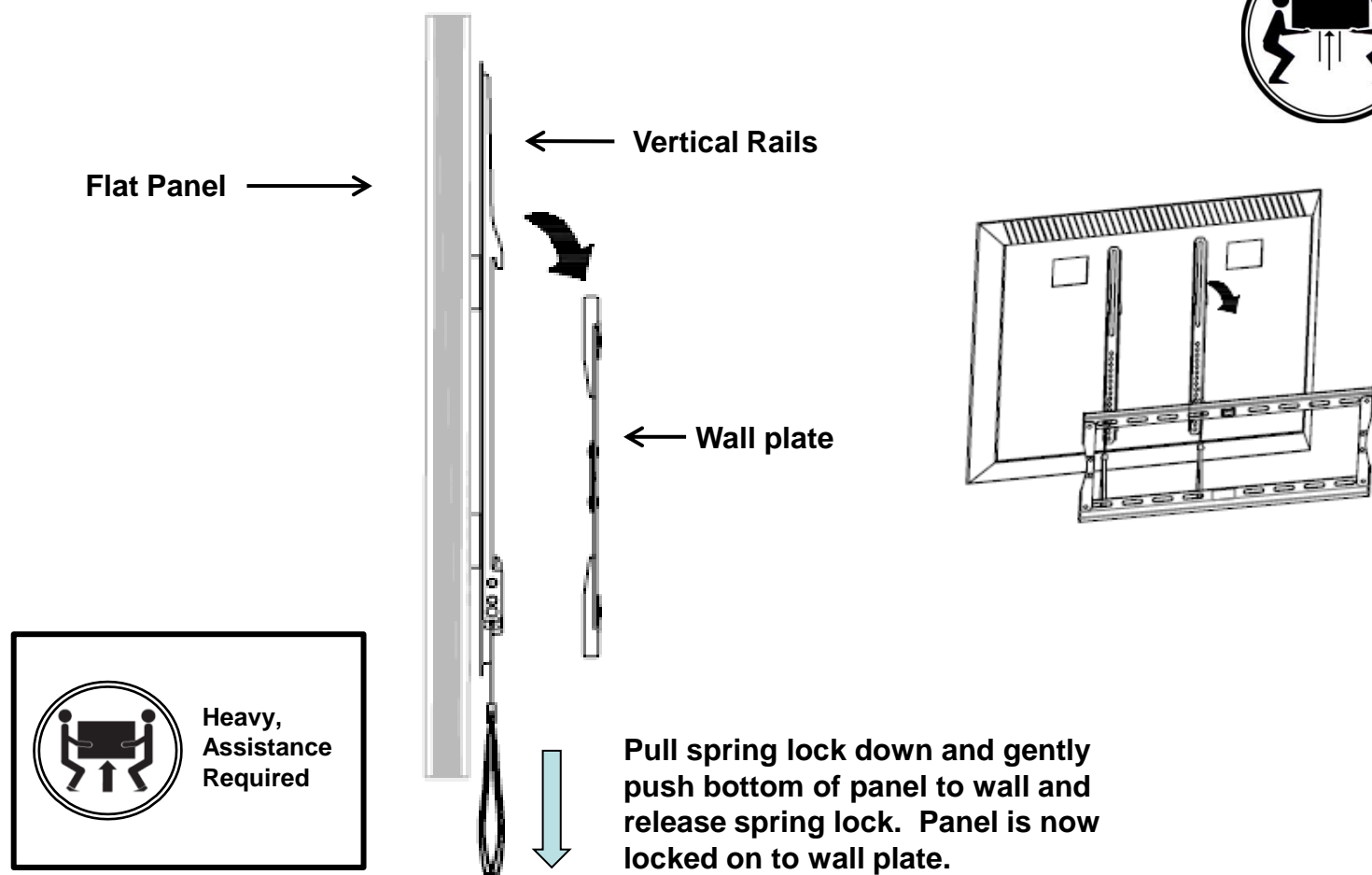


STEP 4 C – MOUNT WALL PLATE TO WALL



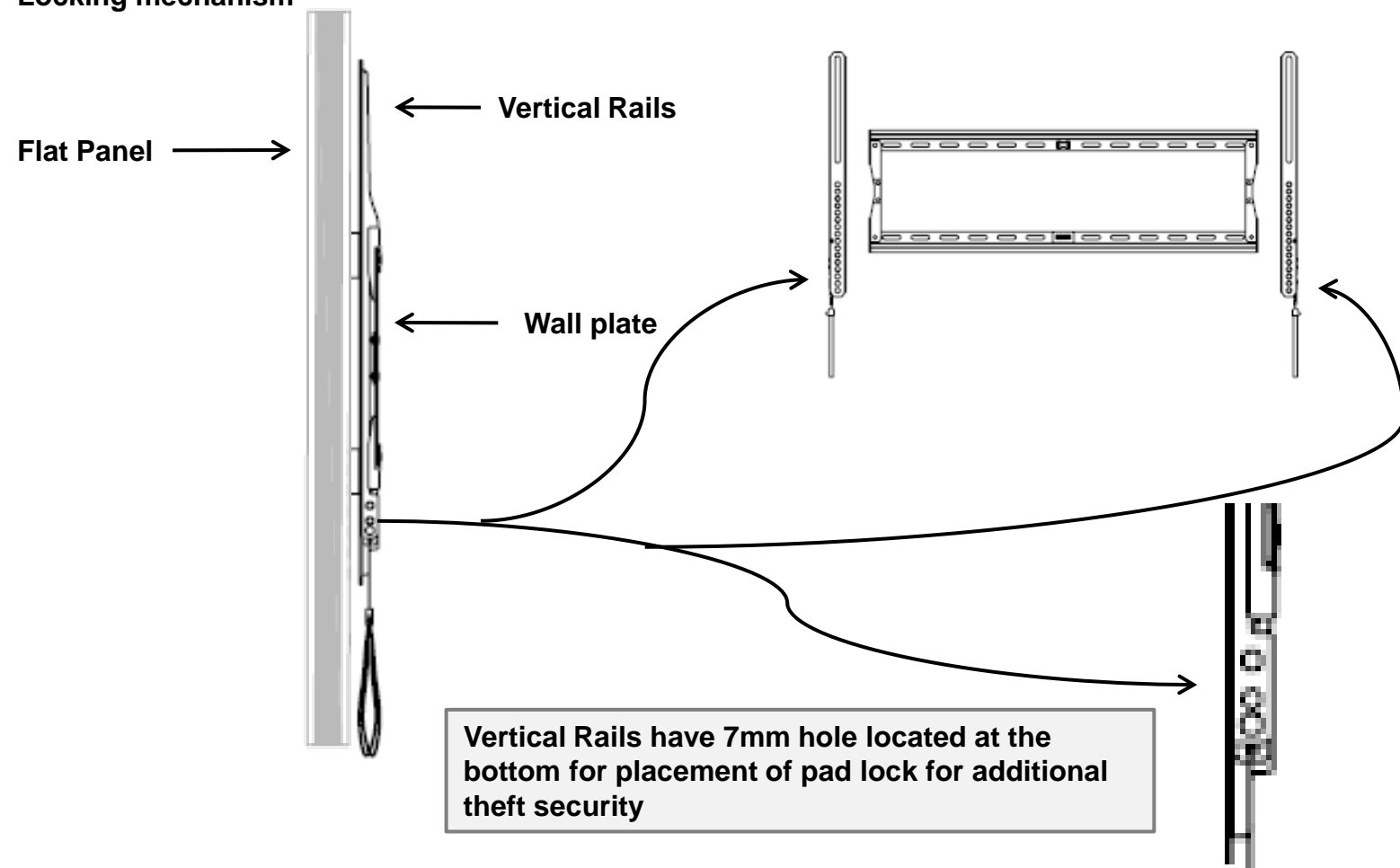
STEP 5A- ATTACH PANEL/ VERTICAL RAILS TO WALL PLATE

Hang vertical rails with flat panel attached

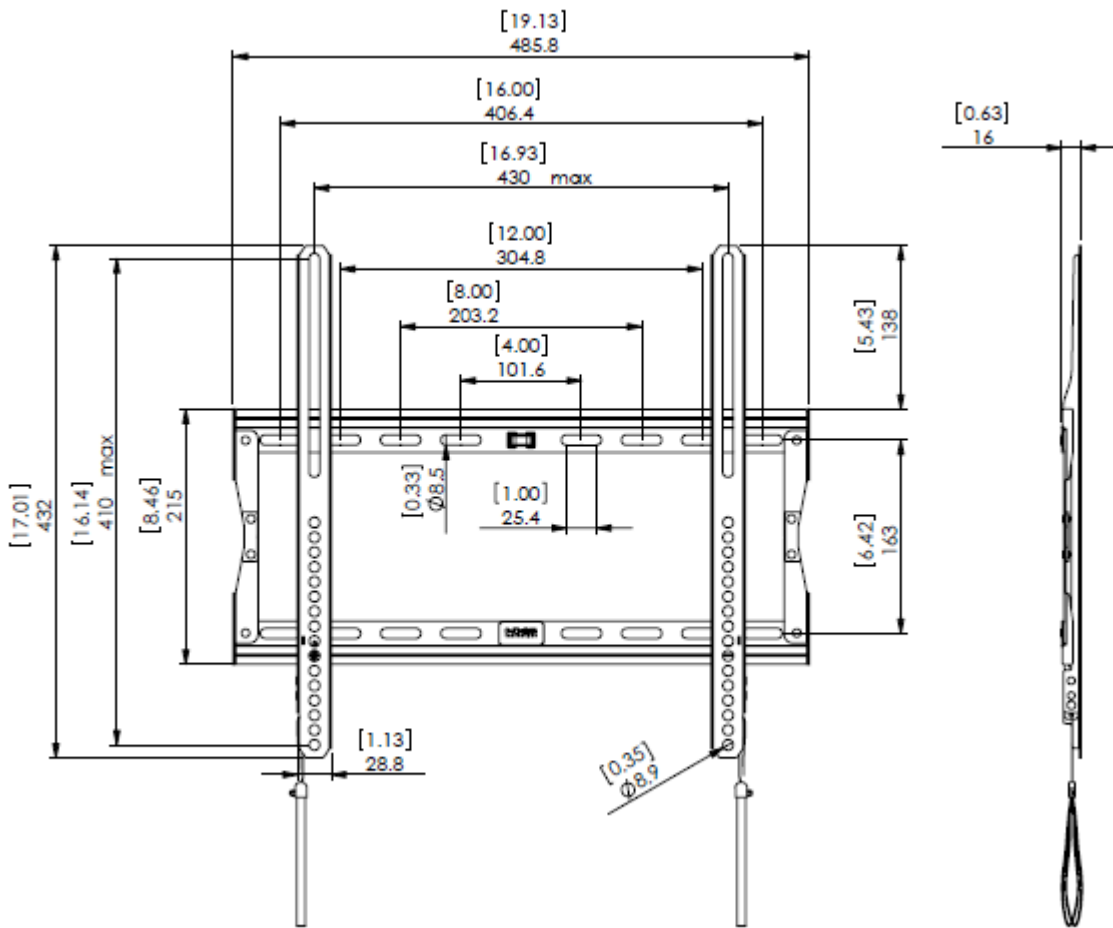


STEP 5B- ADDITIONAL SECURITY FEATURE (OPTIONAL)

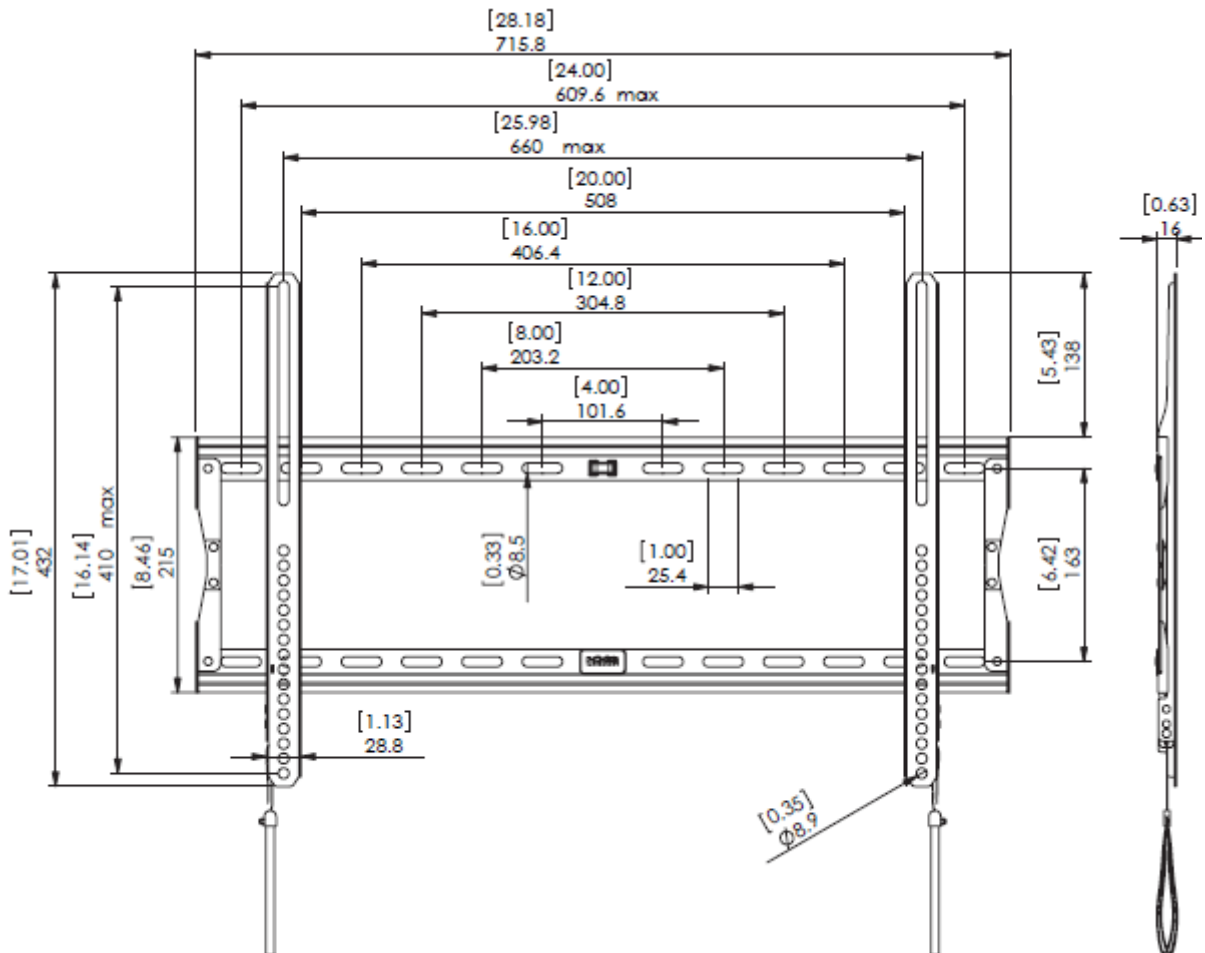
Locking mechanism



NX-MOUNT-FLT-M



NX-MOUNT-FLT-L



WARRANTY INFORMATION

Manufacturer warrants this product against defects in material or workmanship for the original purchaser of the product with the following conditions:

WARRANTY PERIOD:

"The three-Year Limited Manufacturer's Warranty" covers this product against defects in materials or workmanship from the date of purchase by the original consumer for a period of three (3) years for parts and labor.

SERVICE:

If the product fails under normal use due to a manufacturing defect within the warranty period, the consumer will be responsible for the cost of shipping the product to an authorized service center - NXG Technology will pay for the return shipment. Manufacturer will repair or replace the defective item with a new or factory rebuilt replacement at Manufacturer's discretion. The warranty will be equal to the remainder of the original limited warranty period on the original product or for 90 days after the date of repair / replacement, whichever is longer. All services must be performed by an Authorized Service Center. All replaced parts will be the property of Manufacturer. To obtain warranty service please send an email to support@nxgtechnology.com.

COVERAGE:

Manufacturer's liability under this limited warranty shall in no event exceed the cost of authorized repairs, replacement with a similar product, reimbursement for authorized repairs or replacement, or the original cost of the product at the time of purchase, whichever is less.

- This warranty is valid in the continental United States of America.
- Proof of purchase in the form of a bill of sale, invoice or sales receipt, which is evidence that the unit is within the warranty period, must be presented to obtain warranty service

LIMITATION OF LIABILITY:

There are no other expressed warranties, whether written or oral, other than this printed limited warranty. All implied warranties, including without limitation the implied warranties or merchantability or fitness for a particular purpose, are limited to the durations of this limited warranty.

In no event shall NXG Technology be liable for incidental or consequential damages of any nature whatsoever, including but not limited to lost profit or commercial loss, to the full extent those damages can be disclaimed by law.

Some states do not allow the exclusion or limitation of incidental or consequential damage, or limitation of the duration of implied warranties, so the preceding limitations or exclusions may not apply to all purchasers. This warranty gives the original purchaser specific legal rights, and you may also have other rights, which may vary from state to state.