

# NX-MOUNT-ART-S

## Small Full Motion Mount

### INSTRUCTION MANUAL



**NXG**<sup>®</sup>  
TECHNOLOGY

CAUTION: DO NOT EXCEED MAXIMUM LISTED CAPACITY. SERIOUS INJURY OR PROPERTY DAMAGE MAY OCCUR!

**Small Full Motion Mount**  
**Max Screen Size: 32"**  
**Max weight: 35lbs**



**Congratulations on the purchase of your new TV Mount. At NXG Technology we design our products to be simple to use, durable, & functional.**

**Like all NXG products, our mount line has evolved from hours of rigorous testing by our engineers and customers and were designed to provide you with years of enjoyment.**

**Please take a moment to review the installation instructions to ensure that you get the most from your new mount.**

**[support@nxgtechnology.com](mailto:support@nxgtechnology.com)**

**DISCLAIMER – WARNING INFORMATION**

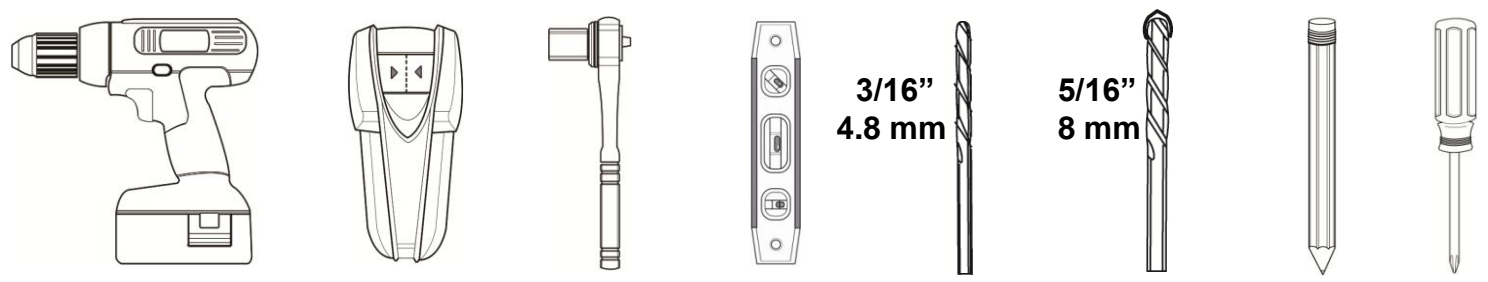
**Disclaimer – NXG™ has extended every effort to ensure to accuracy and completeness of this manual.** However, NXG does not claim that the information covers all installation and or operational variables. The information contained in this document is subject to change without notice or obligation of any kind. Regarding the information contained herein, NXG makes no representation of warranty, expressed or implied, and assumes no responsibility for accuracy, sufficiency, or completeness of the information contained in this document.

**WARNING: FAILURE TO READ, THOROUGHLY UNDERSTAND, AND FOLLOW ALL INSTRUCTIONS CAN RESULT IN SERIOUS PERSONAL INJURY, DAMAGE TO PERSONAL PROPERTY, OR VOIDING OF FACTORY WARRANTY!**

It is the responsibility of the installer to ensure all components are properly assembled and installed using the instructions provided. If you do not understand these instructions or have any questions or concerns, please send questions **to support@nxgtechnology.com**.

Do not attempt to install or assemble this product if the product or hardware is damaged or missing. The included hardware is designed for use on vertical walls constructed of wood studs or solid concrete. A wood stud wall is defined as consisting of a minimum of 2x4 wooden studs (2" wide by 4" deep) with a maximum of 5/8" drywall. The included hardware is not designed for use with metal studs or cinderblock walls. If you're uncertain about the construction of your wall, then please consult a qualified contractor or installer for assistance. For a safe installation, the wall you are mounting to must support 4 times the weight of the total load. If not, then the surface must be reinforced to meet this standard. The installer is responsible for verifying that the wall structure and hardware used in any installation method will safely support the total load.

**TOOLS NEEDED**

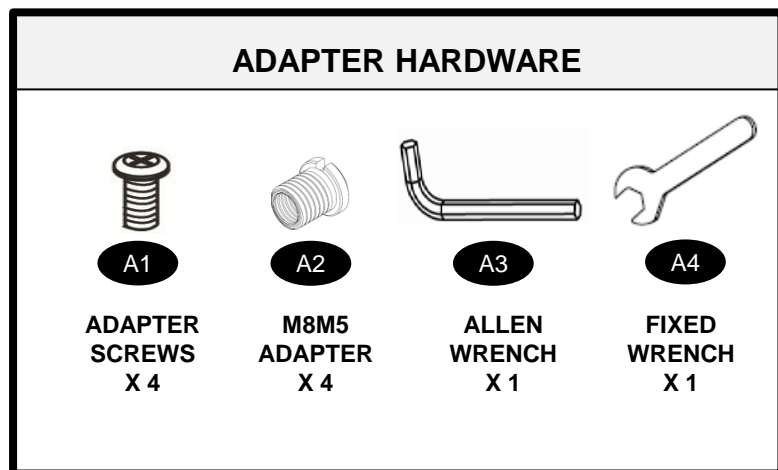
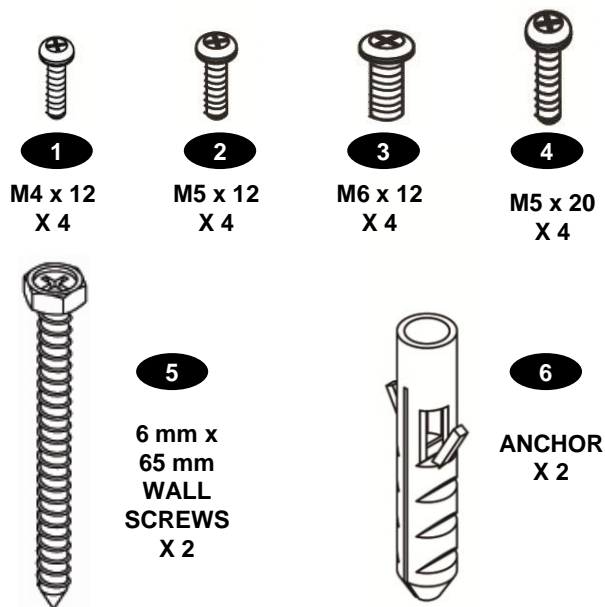


**SYMBOLS**

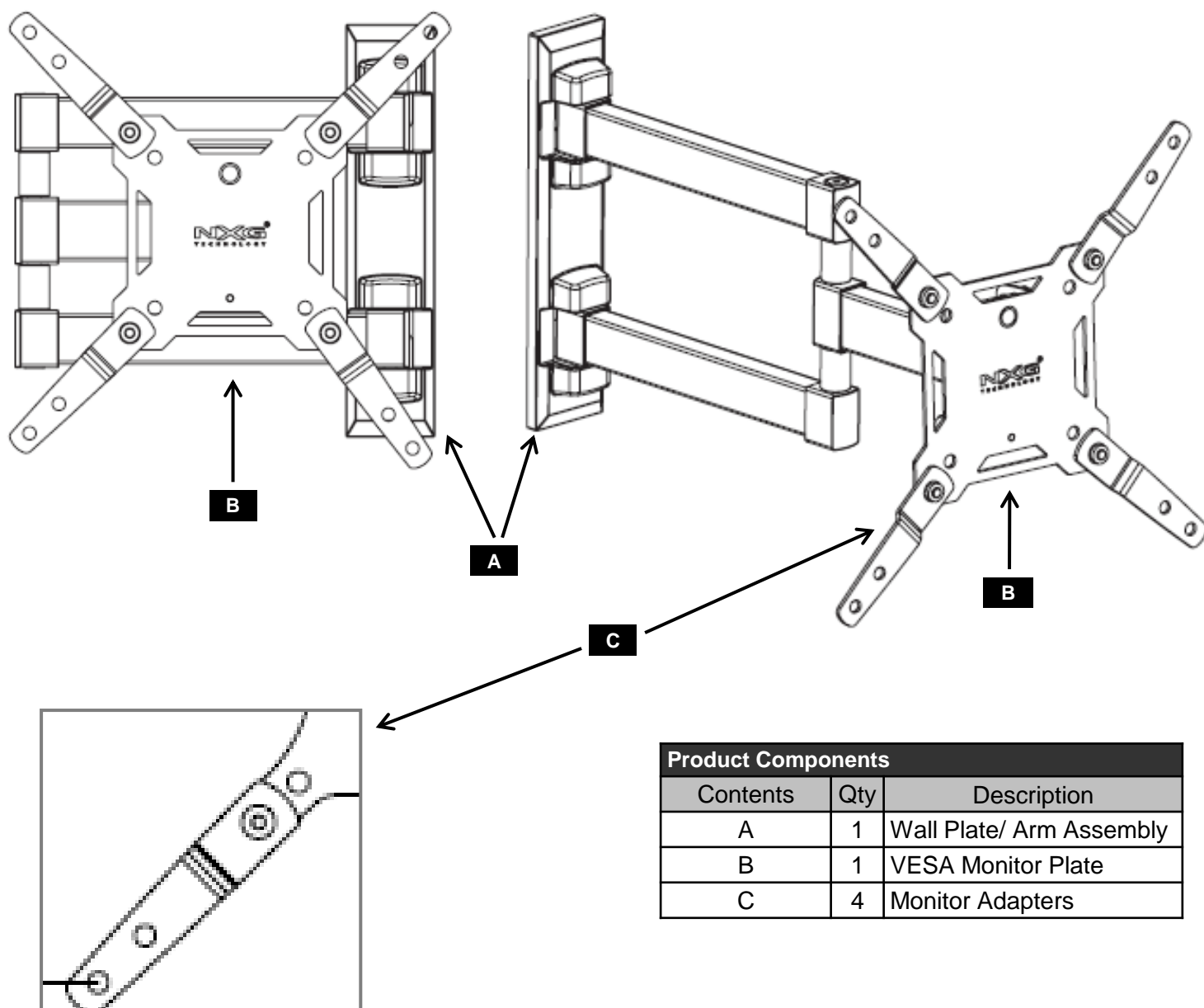


**Drill      Level      Socket Wrench      Caution      Tighten      Pencil Mark      Screwdriver      Heavy!**

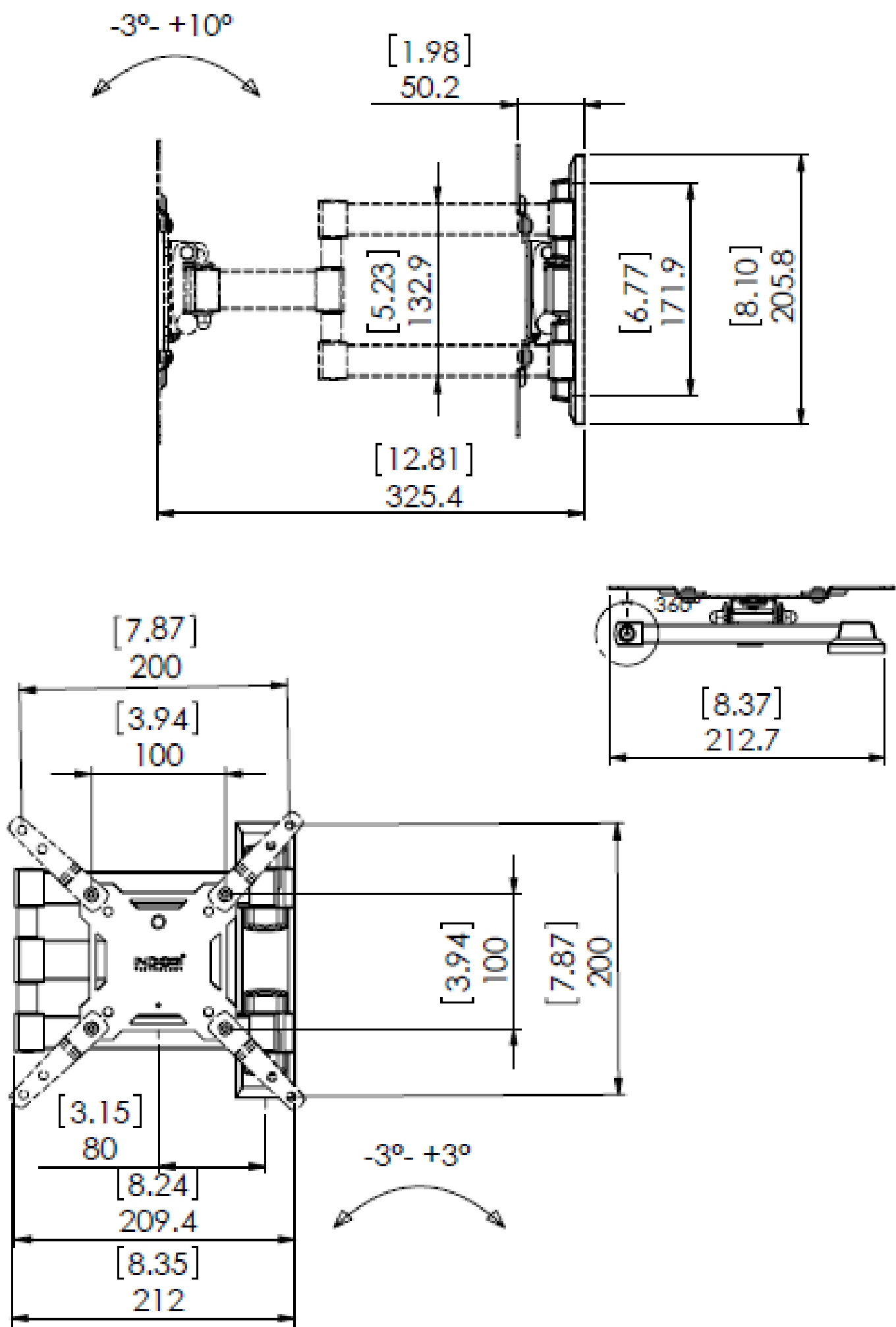
# HARDWARE PART NUMBERS



# PRODUCT COMPONENT PARTS

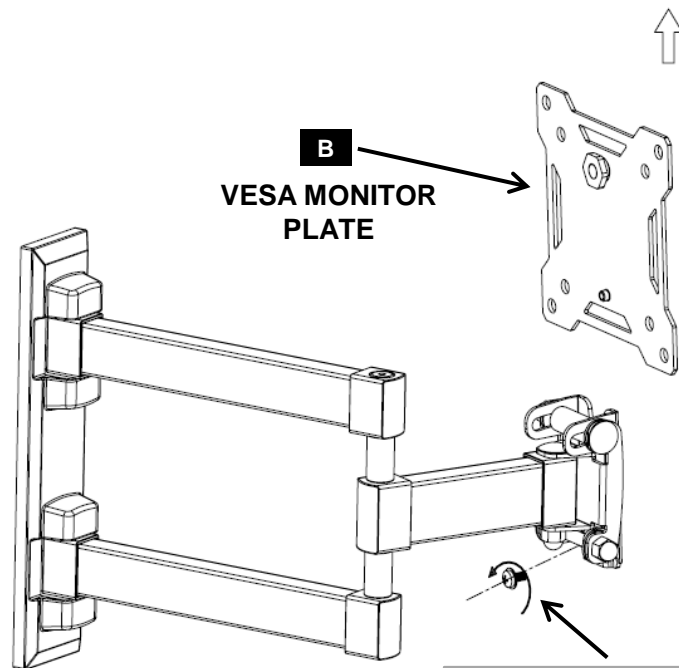


# PRODUCT DIMENSIONS AND SPECIFICATIONS

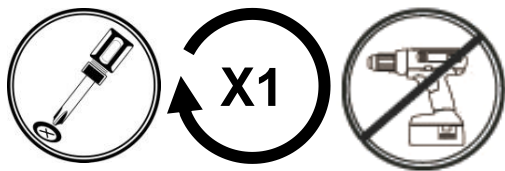


# STEP 1- REMOVE VESA MONITOR PLATE FROM MOUNT ASSEMBLY

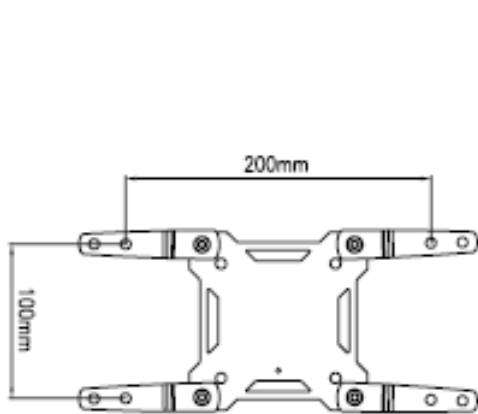
Separate adapter from mount



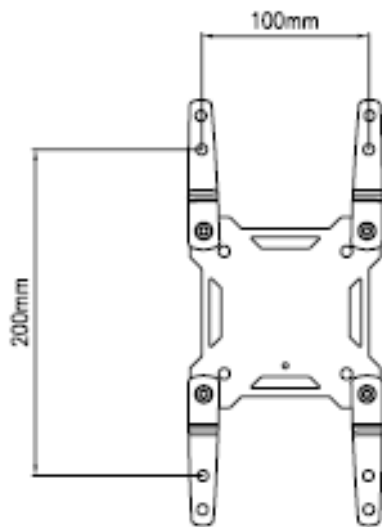
Remove and save Phillips head screw. Screw will be used to reattach VESA Monitor Plate in Step 4.



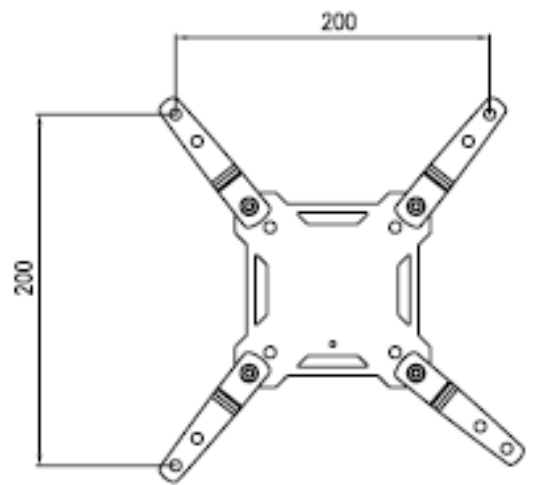
## ADAPTER CONFIGURATIONS



200mm x 100mm



100mm x 200mm

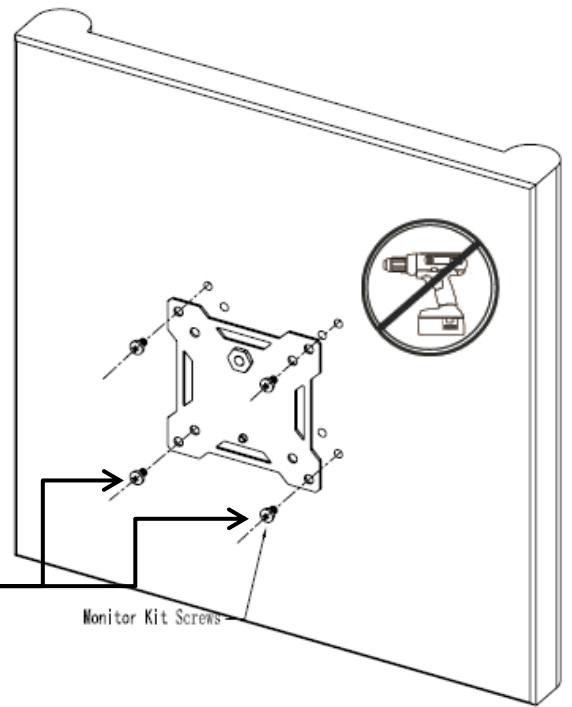
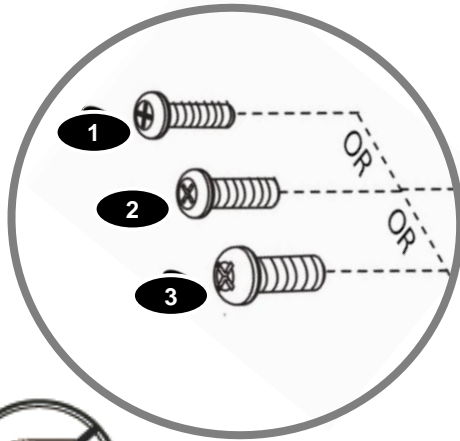


200mm x 200mm

## STEP 2- BACK FLAT PANEL (VESA MONITOR PLATE)

Connect VESA monitor plate to flat panel

Use M8M5 adapter **A2** with 5mmx 12mm screw **2** or 5mm x 20mm **4** screw if flat panel has 8mm inserts. Insert into 8mm insert on back of flat panel then follow steps below

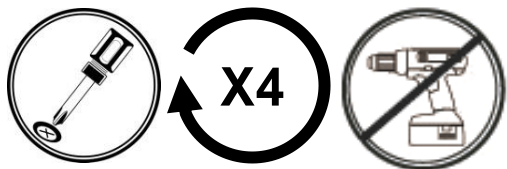
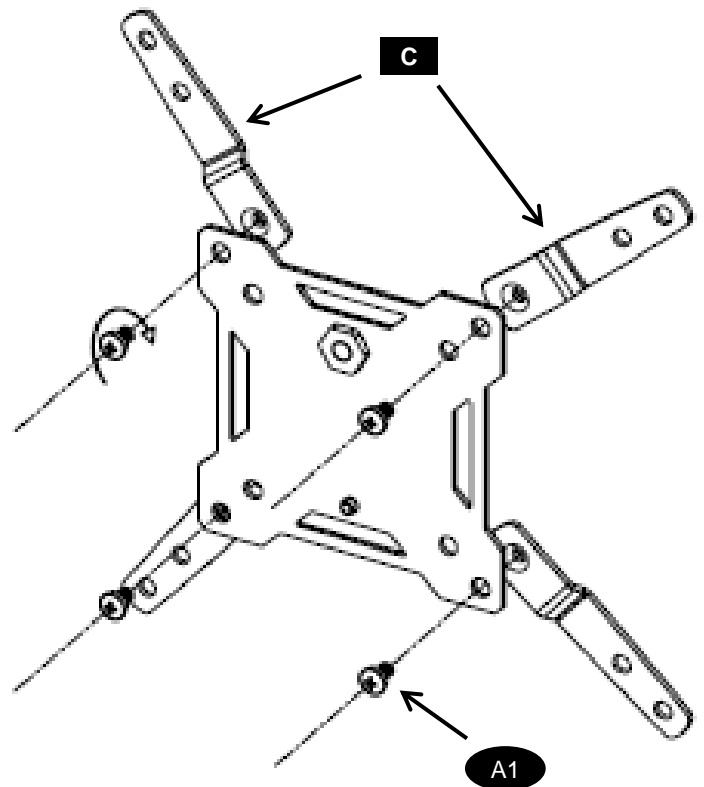
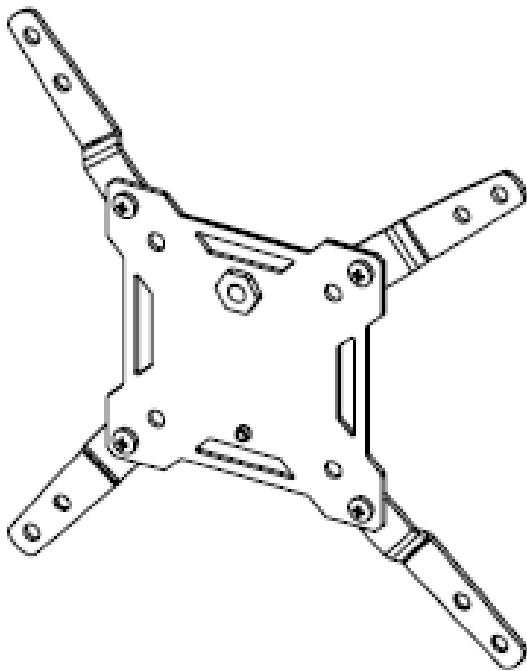


Monitor Kit Screws



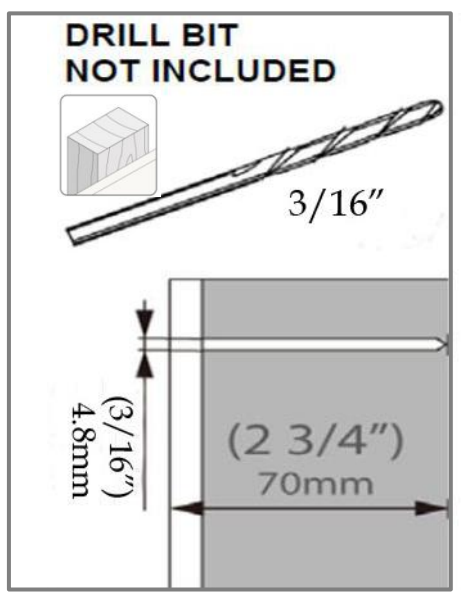
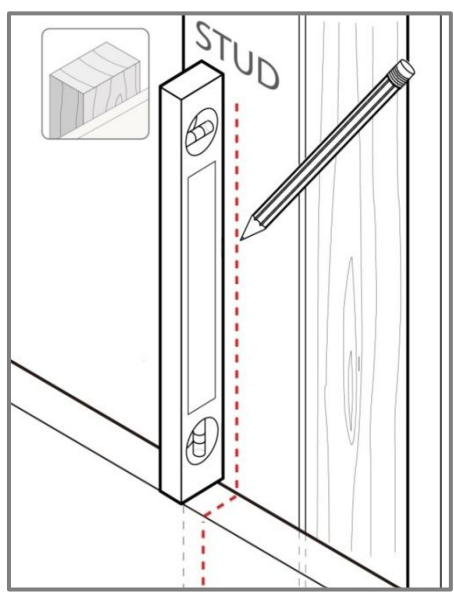
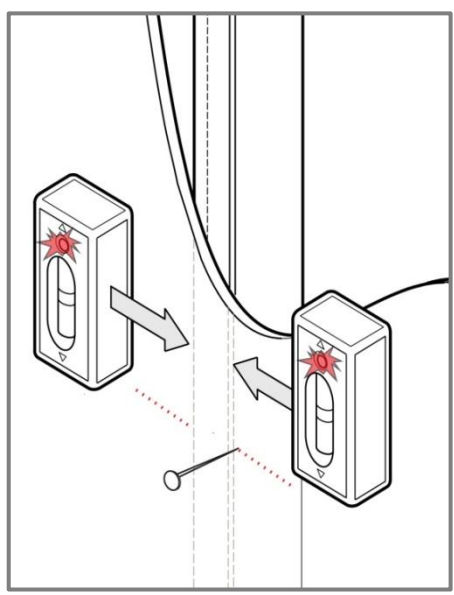
## STEP 2- MONITOR ADAPTER ATTACHMENT TO VESA PLATE

Use Adapters for larger flat panel hole patterns



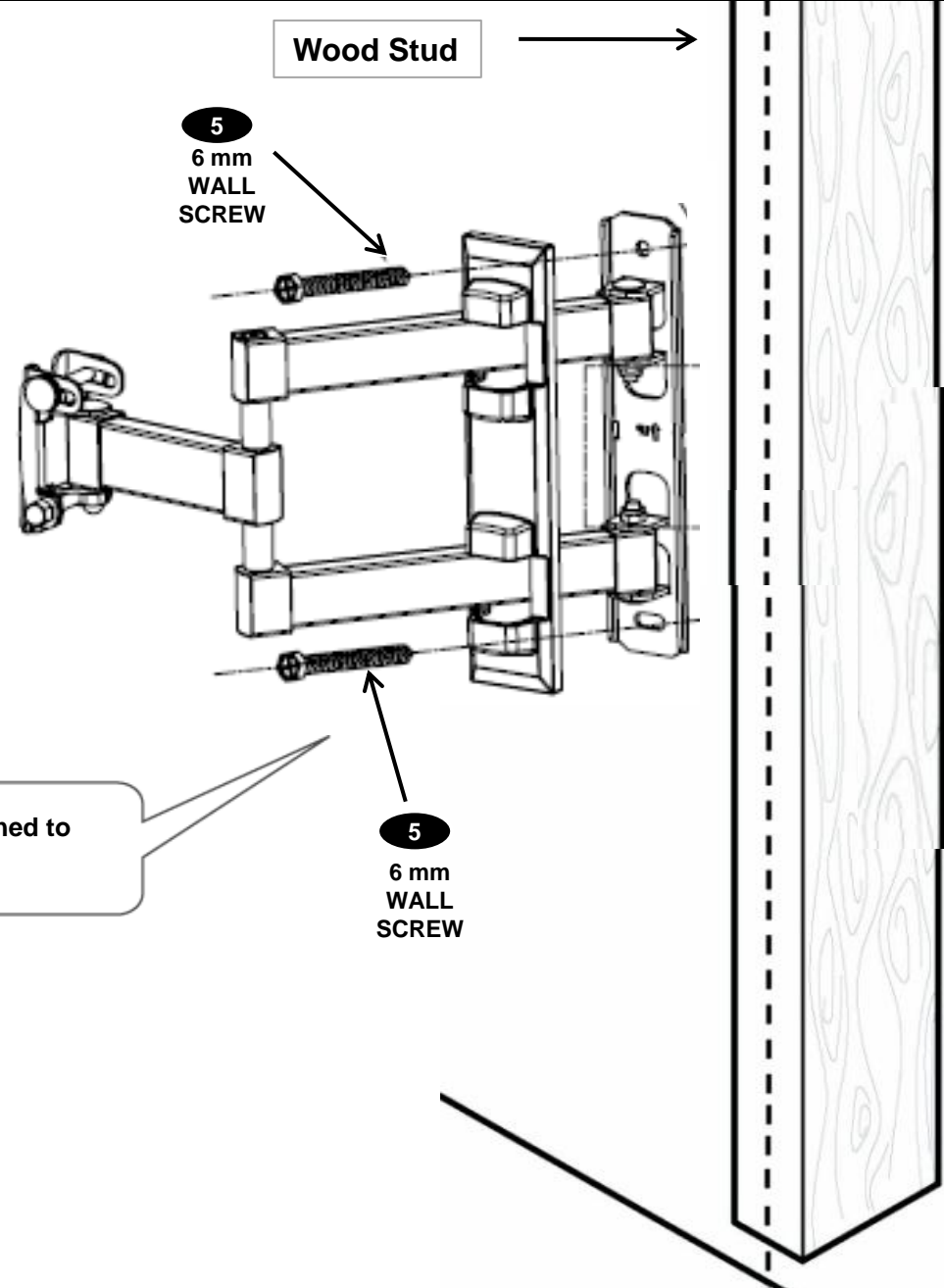
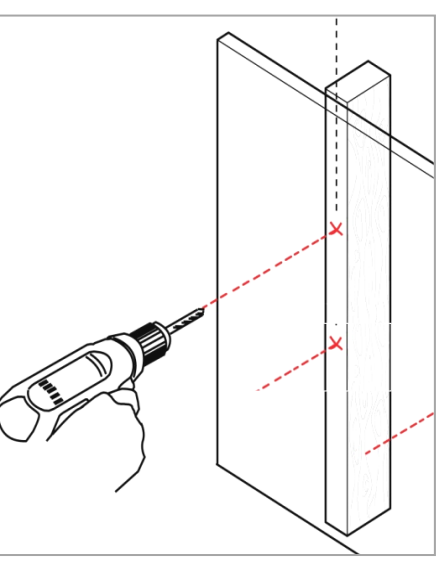
# STEP 3A- WOOD STUD INSTALLATION (CONCRETE INSTALLATION SKIP TO STEP 3B)

Find stud and mark edge and center locations

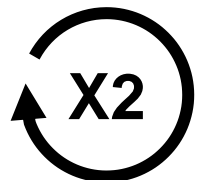


# STEP 3A- DRILL PILOT HOLE AND MOUNT WALL PLATE

Mount wall plate

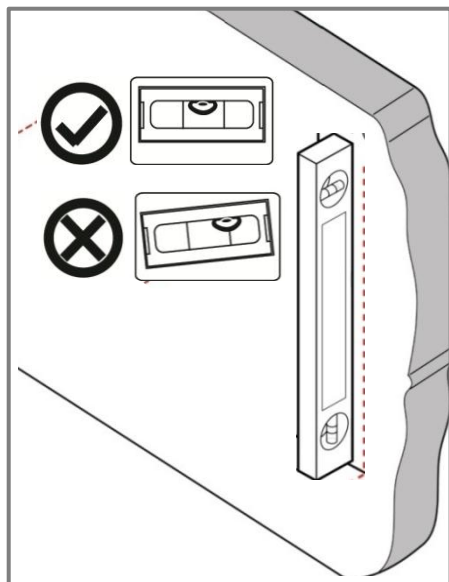


The wall screws should be tightened to the wall with socket wrench

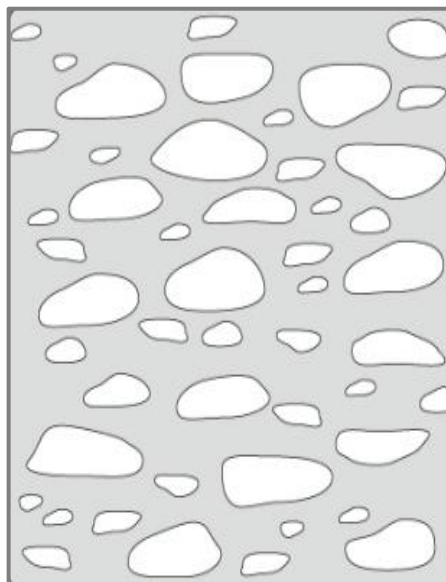


# STEP 3B – SOLID CONCRETE INSTALLATION

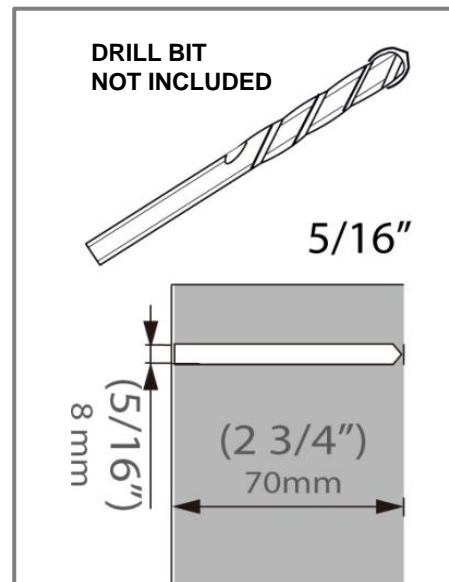
Drill pilot hole



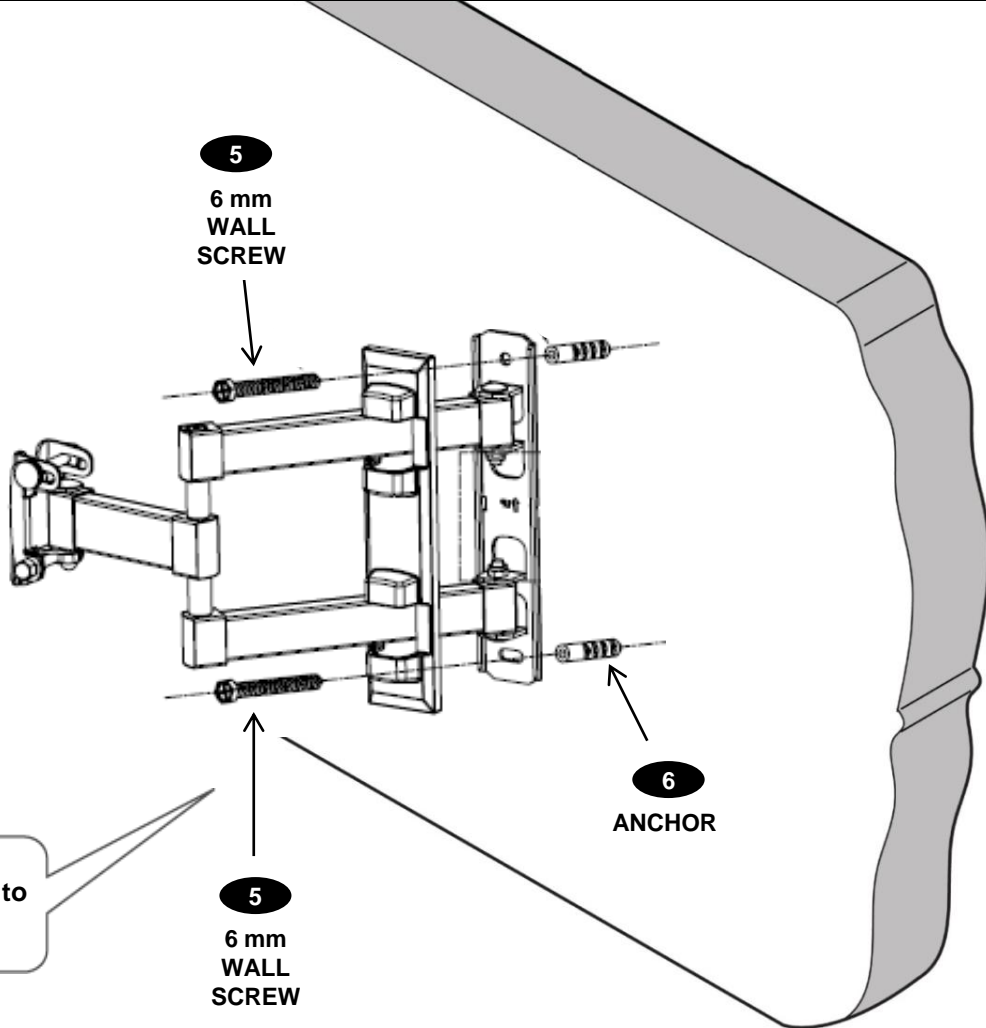
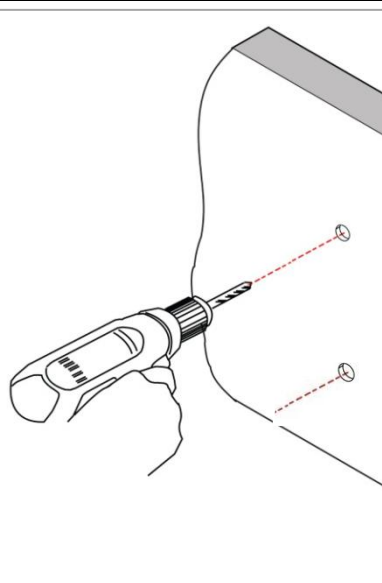
Solid Concrete



Drill bit size/ pilot hole depth



## STEP 3B- DRILL PILOT HOLE AND MOUNT WALL PLATE



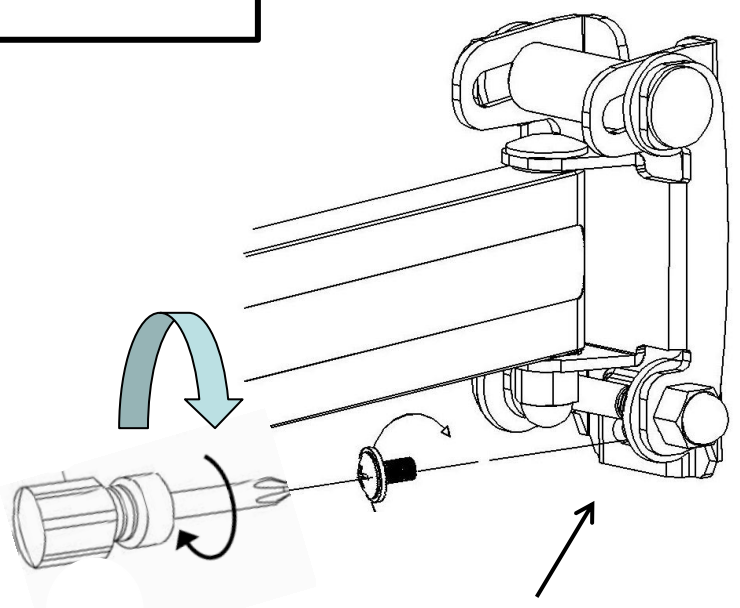
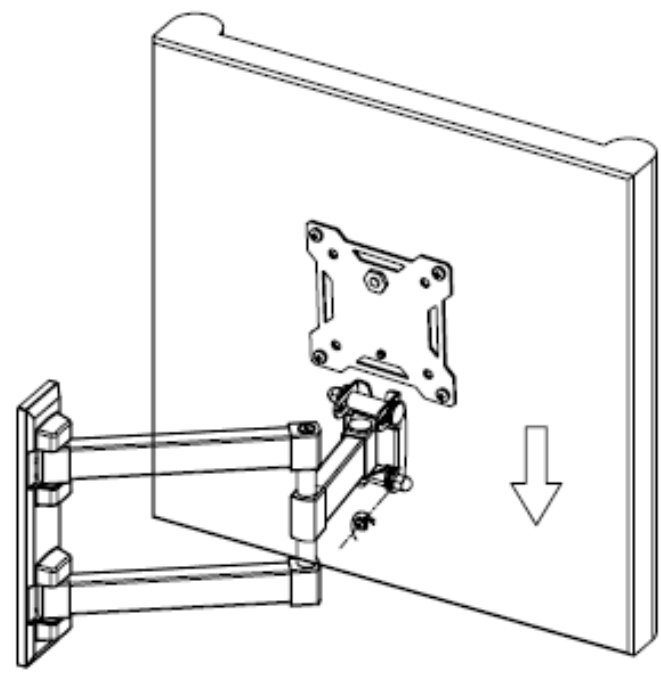
The wall screws should be tightened to the wall with socket wrench



# STEP 4- ATTACH PANEL TO MOUNT

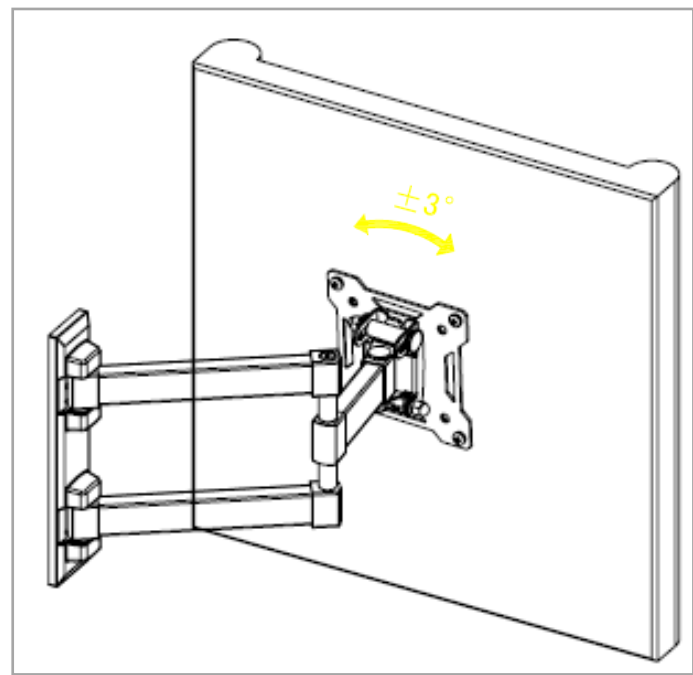
Hang with monitor attached

Locking mechanism



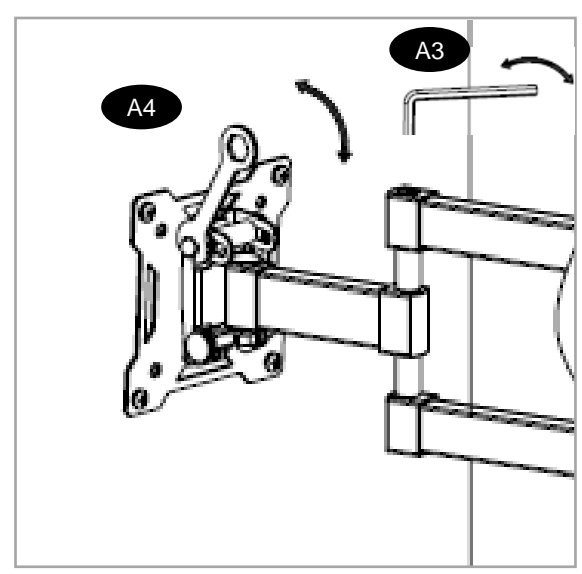
Secure VESA Monitor Plate to mount with Phillips screw from Step 1. Do not over-tighten screw.

# STEP 5- LEVEL AND ADJUST TILT



Flat panel can be leveled (+/- 3 degrees) as needed. If Phillips screw is tensioned too tight it will be difficult to adjust leveling.

## Adjust tilt and elbow points



- A4 FIXED WRENCH X 1
- A3 ALLEN WRENCH X 1

## **WARRANTY INFORMATION**

Manufacturer warrants this product against defects in material or workmanship for the original purchaser of the product with the following conditions:

### **WARRANTY PERIOD:**

"The three-Year Limited Manufacturer's Warranty" covers this product against defects in materials or workmanship from the date of purchase by the original consumer for a period of three (3) years for parts and labor.

### **SERVICE:**

If the product fails under normal use due to a manufacturing defect within the warranty period, the consumer will be responsible for the cost of shipping the product to an authorized service center - NXG Technology will pay for the return shipment. Manufacturer will repair or replace the defective item with a new or factory rebuilt replacement at Manufacturer's discretion. The warranty will be equal to the remainder of the original limited warranty period on the original product or for 90 days after the date of repair / replacement, whichever is longer. All services must be performed by an Authorized Service Center. All replaced parts will be the property of Manufacturer. To obtain warranty service please send an email to [support@nxgtechnology.com](mailto:support@nxgtechnology.com).

### **COVERAGE:**

Manufacturer's liability under this limited warranty shall in no event exceed the cost of authorized repairs, replacement with a similar product, reimbursement for authorized repairs or replacement, or the original cost of the product at the time of purchase, whichever is less.

- This warranty is valid in the continental United States of America.
- Proof of purchase in the form of a bill of sale, invoice or sales receipt, which is evidence that the unit is within the warranty period, must be presented to obtain warranty service

### **LIMITATION OF LIABILITY:**

There are no other expressed warranties, whether written or oral, other than this printed limited warranty. All implied warranties, including without limitation the implied warranties or merchantability or fitness for a particular purpose, are limited to the durations of this limited warranty.

In no event shall NXG Technology be liable for incidental or consequential damages of any nature whatsoever, including but not limited to lost profit or commercial loss, to the full extent those damages can be disclaimed by law.

Some states do not allow the exclusion or limitation of incidental or consequential damage, or limitation of the duration of implied warranties, so the preceding limitations or exclusions may not apply to all purchasers. This warranty gives the original purchaser specific legal rights, and you may also have other rights, which may vary from state to state.