

NX-MOUNT-ART-M

Medium Full Motion Mount

INSTRUCTION MANUAL



NXG[®]
TECHNOLOGY

CAUTION: DO NOT EXCEED MAXIMUM LISTED WEIGHT CAPACITY. SERIOUS INJURY OR PROPERTY DAMAGE MAY OCCUR!

Small Full Motion Mount
Max Screen Size: 55"
Max weight: 60lbs



Congratulations on the purchase of your new TV Mount. At NXG Technology we design our products to be simple to use, durable, & functional.

Like all NXG products, our mount line has evolved from hours of rigorous testing by our engineers and customers and were designed to provide you with years of enjoyment.

Please take a moment to review the installation instructions to ensure that you get the most from your new mount.

support@nxgtechnology.com

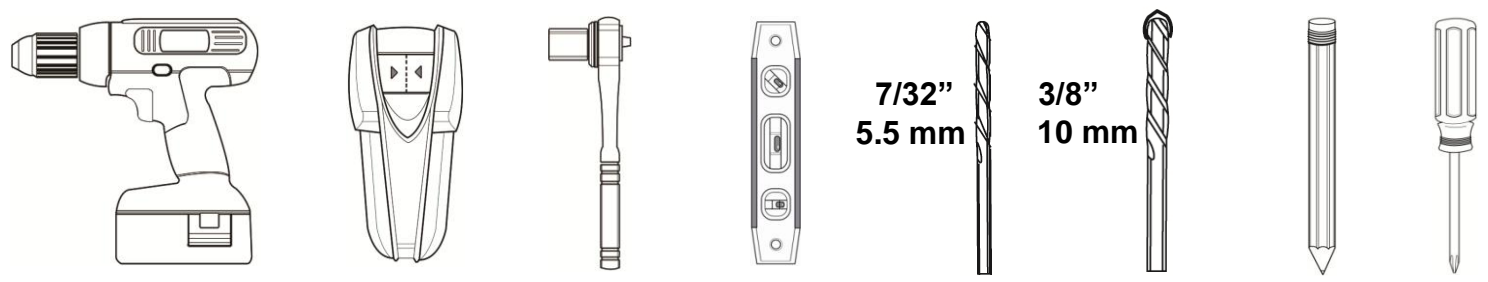
DISCLAIMER – WARNING INFORMATION

Disclaimer – NXG™ has extended every effort to ensure to accuracy and completeness of this manual. However, NXG does not claim that the information covers all installation and or operational variables. The information contained in this document is subject to change without notice or obligation of any kind. Regarding the information contained herein, NXG makes no representation of warranty, expressed or implied, and assumes no responsibility for accuracy, sufficiency, or completeness of the information contained in this document.

WARNING: FAILURE TO READ, THOROUGHLY UNDERSTAND, AND FOLLOW ALL INSTRUCTIONS CAN RESULT IN SERIOUS PERSONAL INJURY, DAMAGE TO PERSONAL PROPERTY, OR VOIDING OF FACTORY WARRANTY!

It is the responsibility of the installer to ensure all components are properly assembled and installed using the instructions provided. If you do not understand these instructions or have any questions or concerns, please send questions to **support@nxgtechnology.com** or not attempt to install or assemble this product if the product or hardware is damaged or missing. The included hardware is designed for use on vertical walls constructed of wood studs or solid concrete. A wood stud wall is defined as consisting of a minimum of 2x4 wooden studs (2" wide by 4" deep) with a maximum of 5/8" drywall. The included hardware is not designed for use with metal studs or cinderblock walls. If you're uncertain about the construction of your wall, then please consult a qualified contractor or installer for assistance. For a safe installation, the wall you are mounting to must support 4 times the weight of the total load. If not, then the surface must be reinforced to meet this standard. The installer is responsible for verifying that the wall structure and hardware used in any installation method will safely support the total load.

TOOLS NEEDED

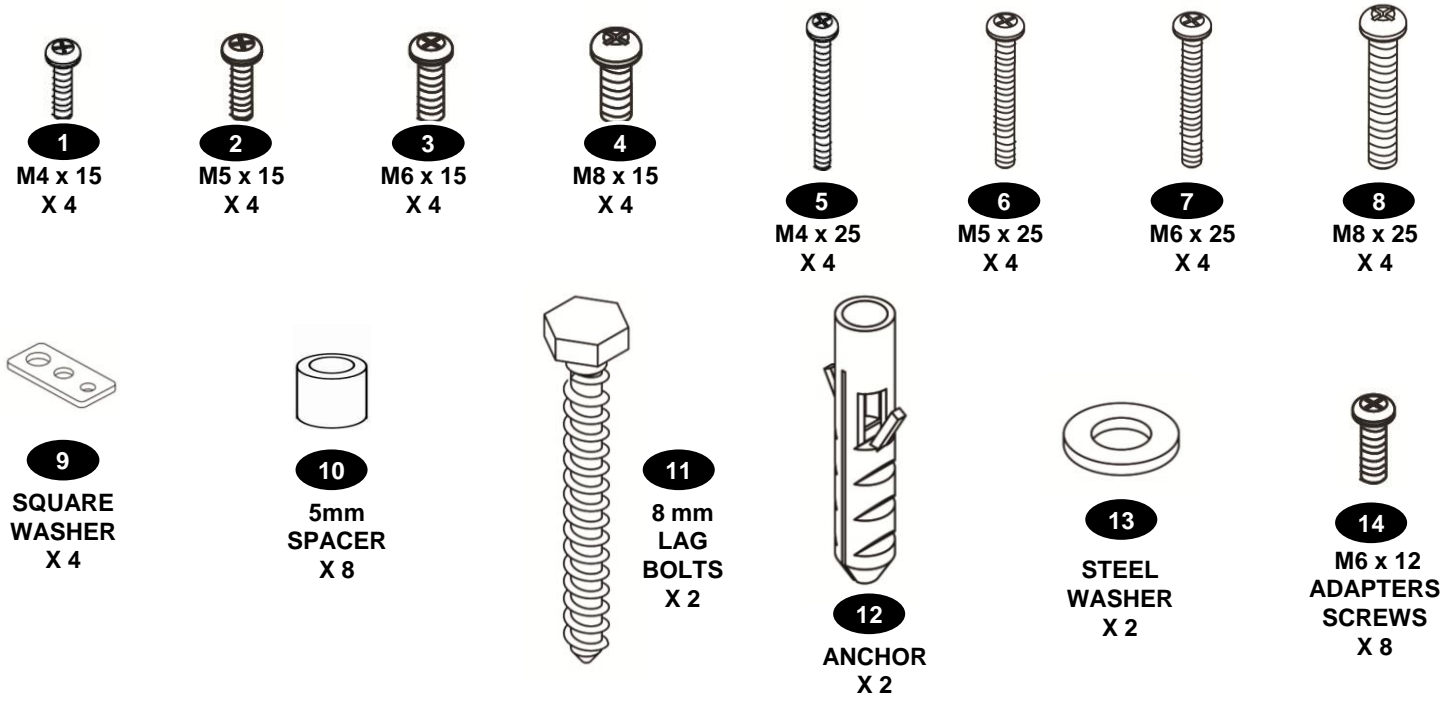


SYMBOLS

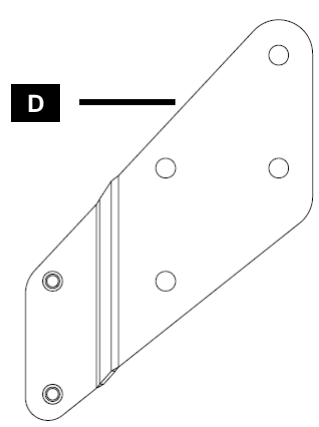
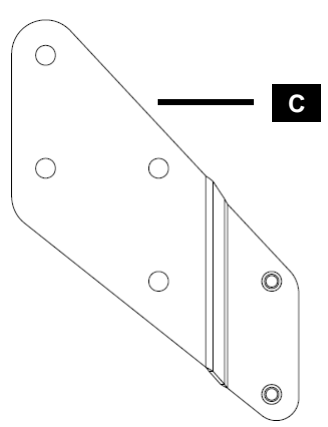
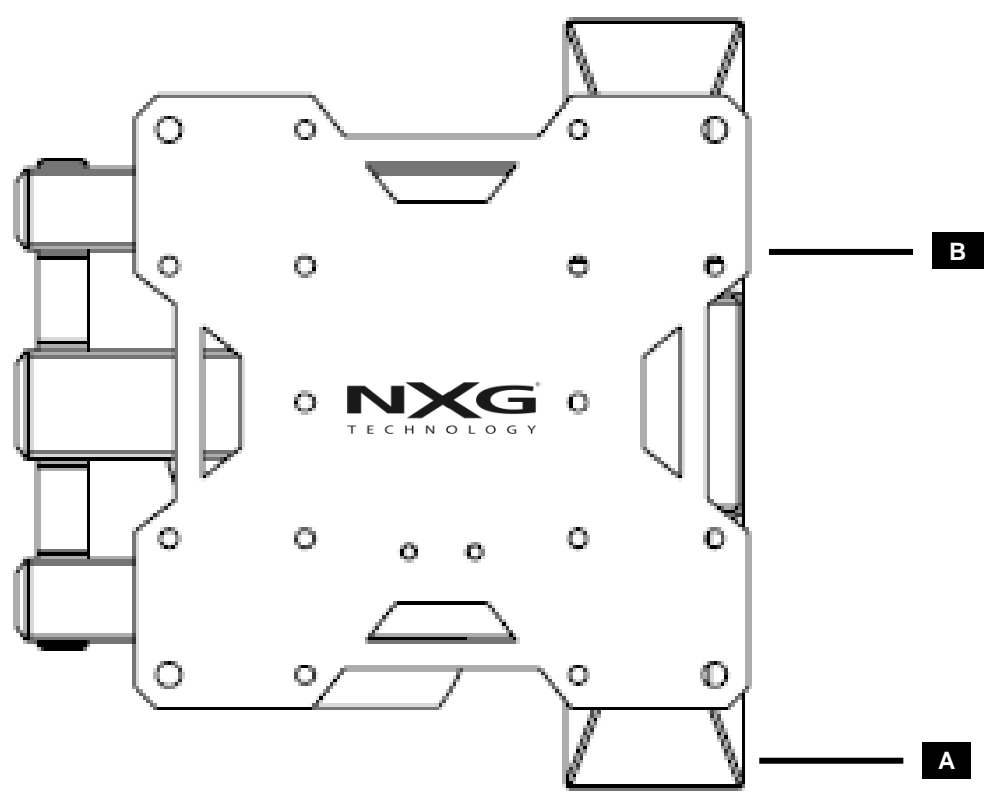


Drill Level Socket Wrench Caution Tighten Pencil Mark Screwdriver Heavy!

HARDWARE PART NUMBERS



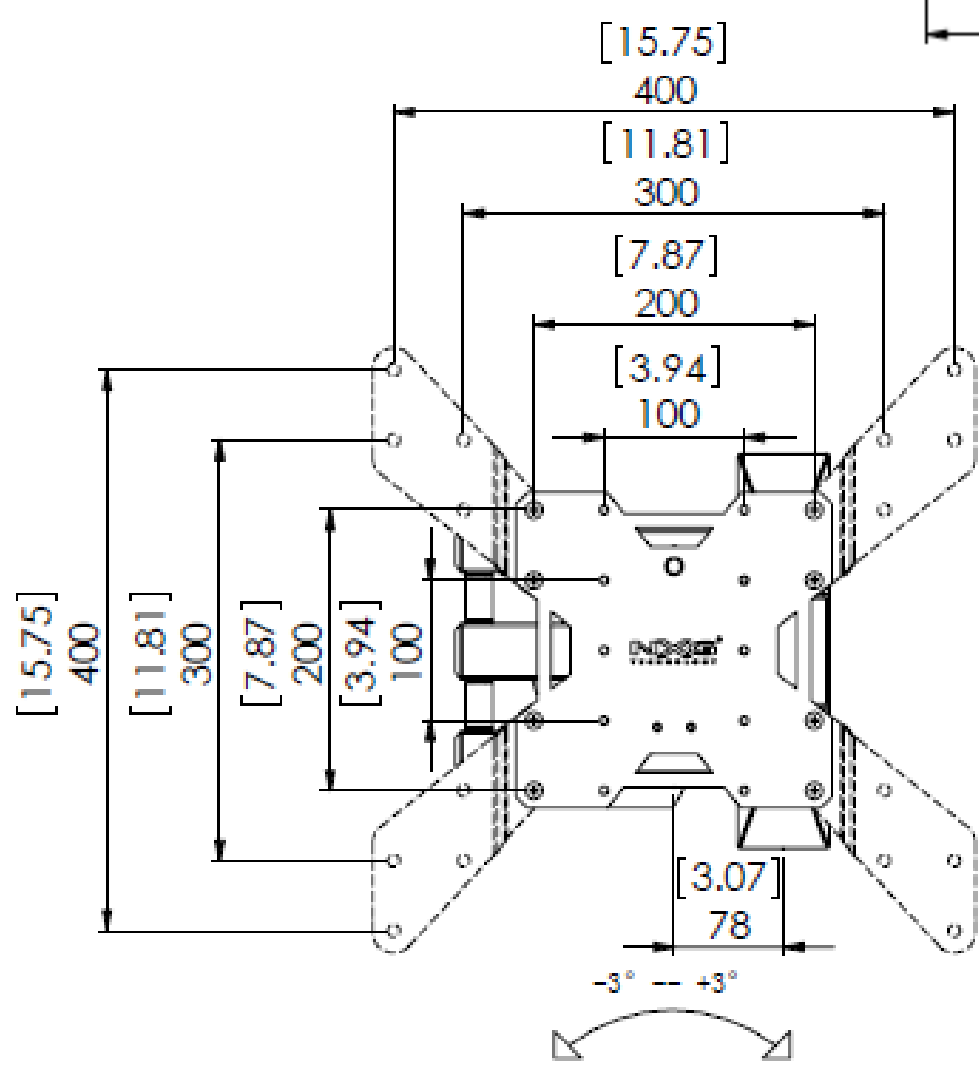
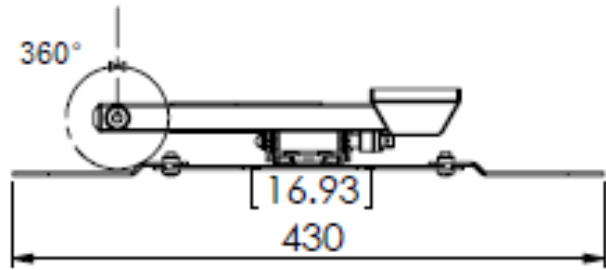
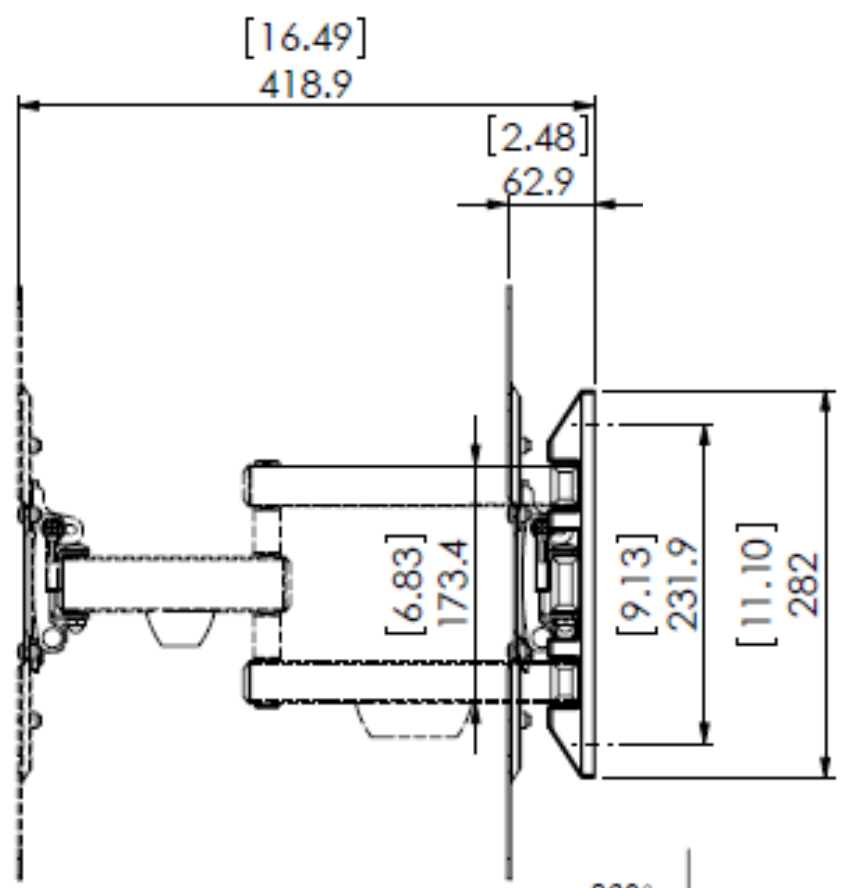
PRODUCT COMPONENT PARTS



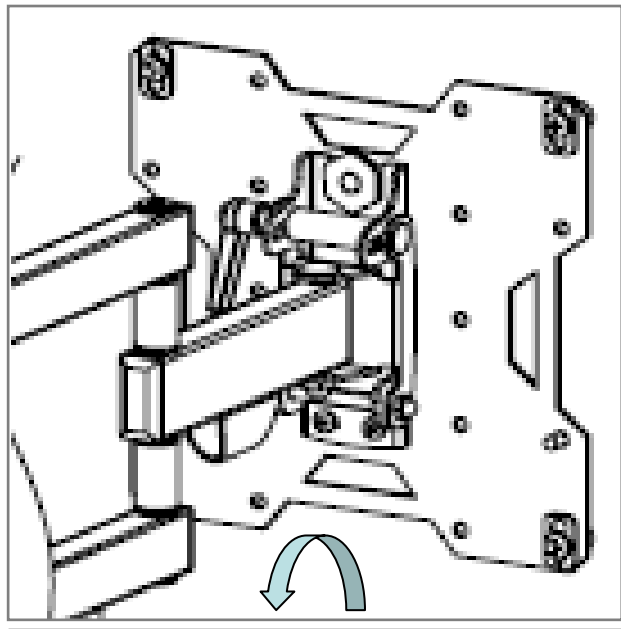
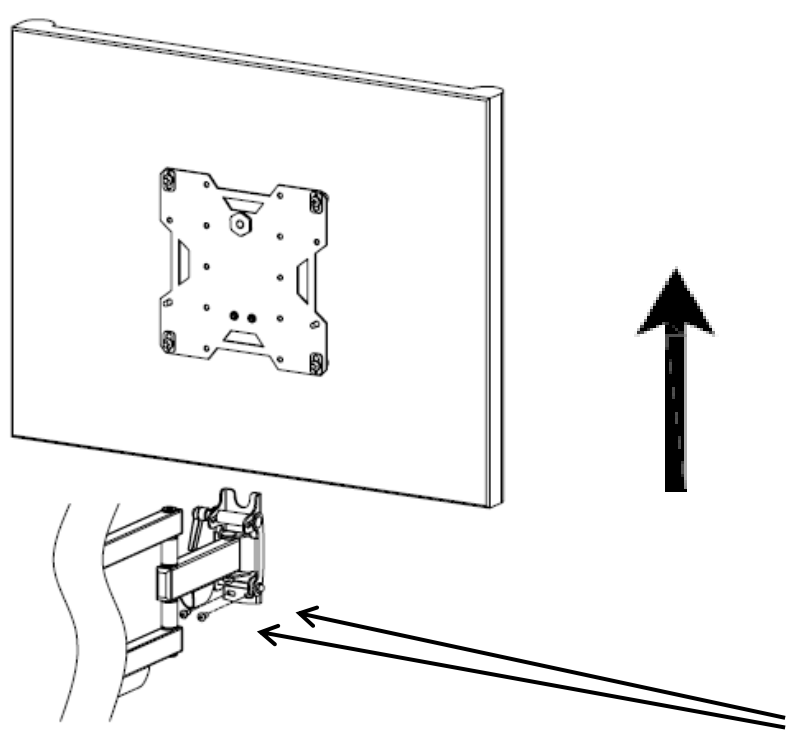
Product Components		
Contents	Qty	Description
A	1	Wall Plate
B	1	VESA Monitor Plate
C	2	Monitor Adapters-1
D	2	Monitor Adapters-2

PRODUCT DIMENSIONS AND SPECIFICATIONS

-3° -- +10°

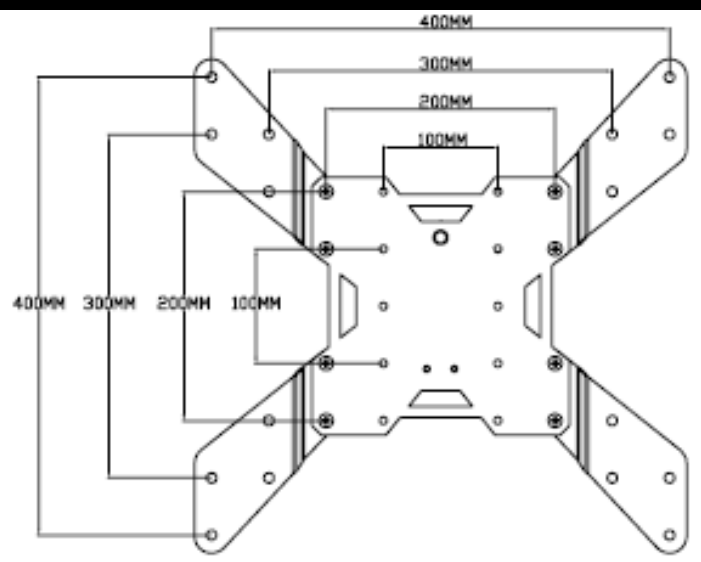
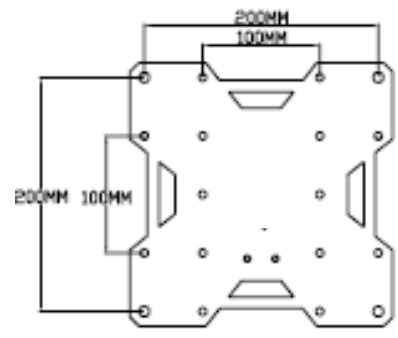


STEP 1- REMOVE VESA MONITOR PLATE FROM MOUNT

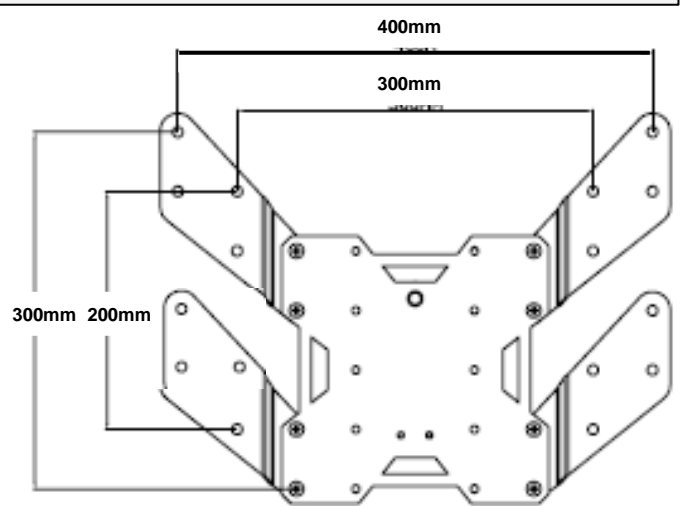
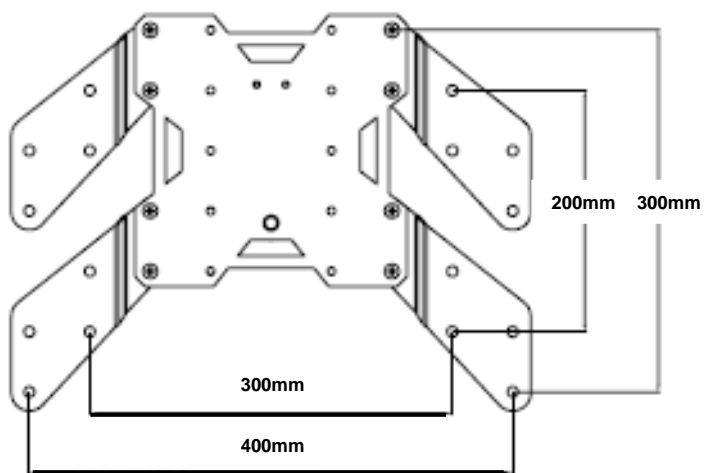


Remove and save Philips head screw and washer. Screw and washer will be used to reattach VESA Monitor Plate in Step 3.

VESA MONITOR PLATE and ADAPTERS

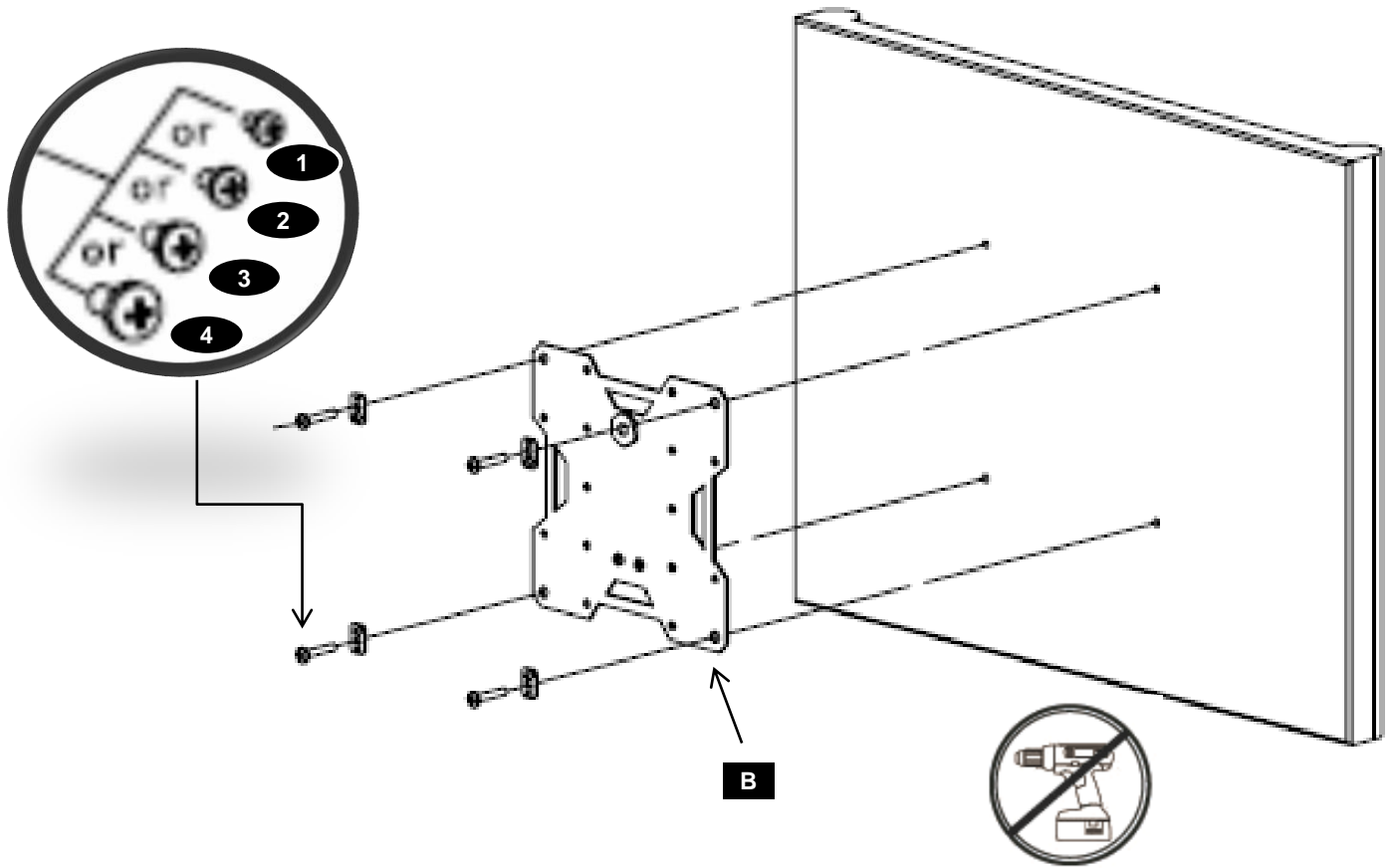


Use diagrams to determine which mounting configuration is needed to attach VESA Monitor Plate (with or without adapters) to the back of flat panel. Please check flat panel wall mounting compatibility before proceeding with installation.



STEP 2- MONITOR ADAPTER ATTACHMENT TO VESA PLATE

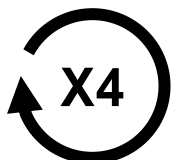
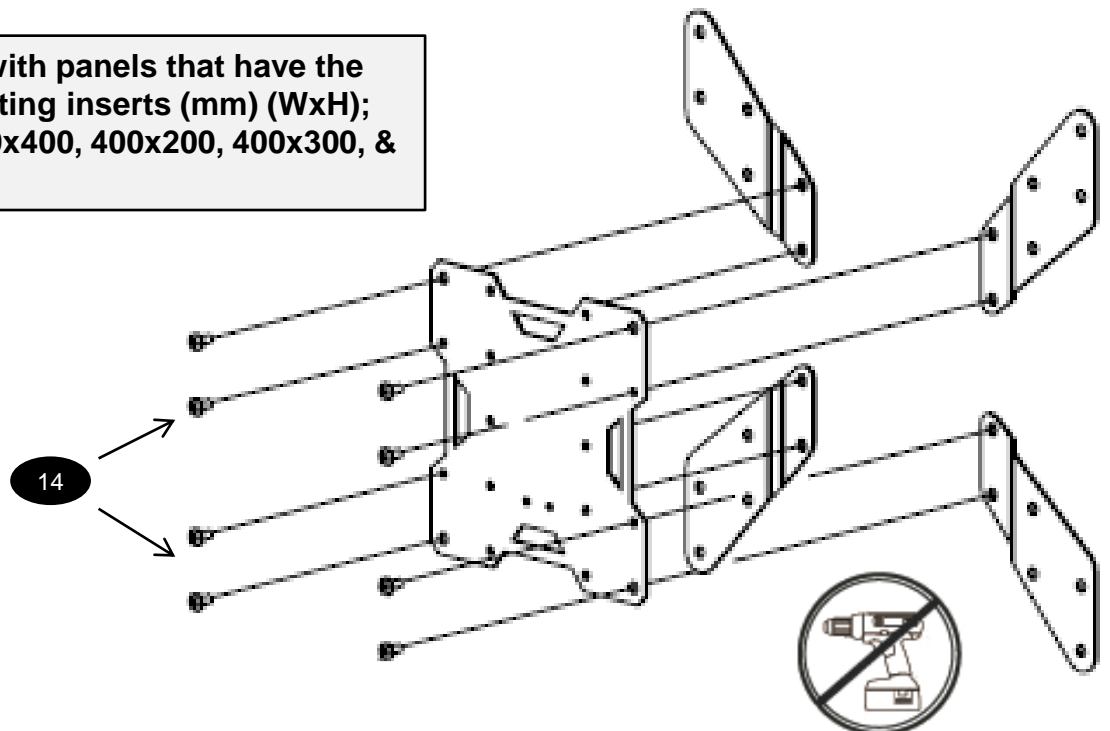
Connect VESA monitor plate with adapters to flat panel



STEP 2- MONITOR ADAPTER ATTACHMENT TO VESA PLATE

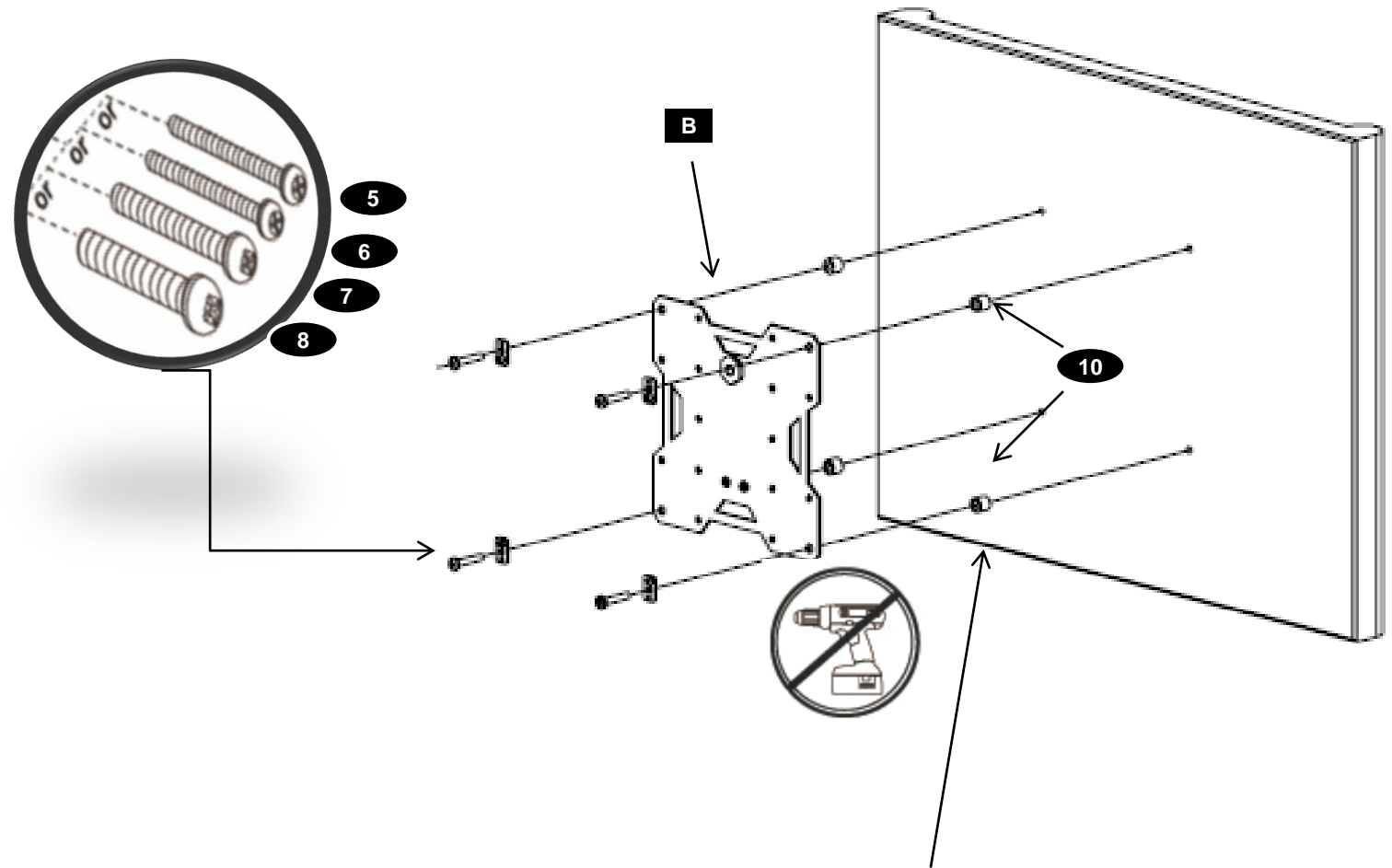
Connect VESA monitor plate with adapters to flat panel

Adapters to be used with panels that have the following VESA mounting inserts (mm) (WxH); 300x200, 300x300, 300x400, 400x200, 400x300, & 400x400.



STEP 2- CURVED BACK FLAT PANEL

Connect VESA monitor plate to flat panel

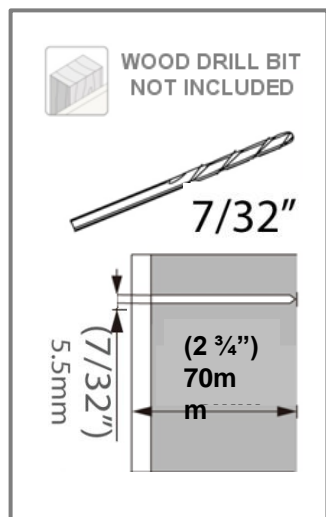
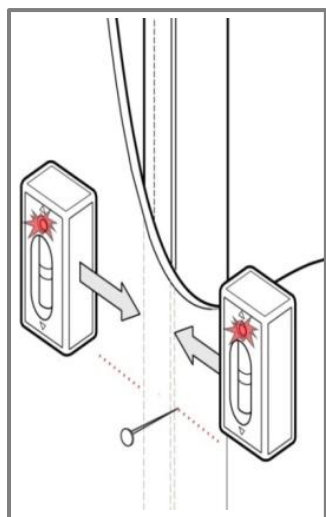
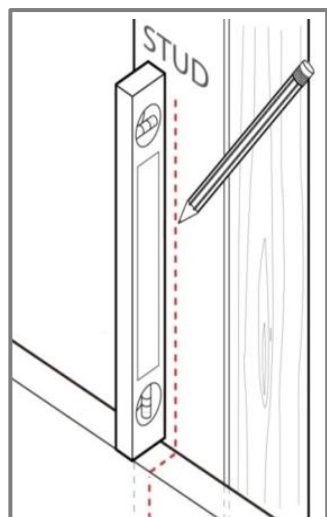


5mm spacers to be used when back of panel is curved or when more clearance is required. Spacers can be stacked 5mm + 5mm between panel and VESA Monitor Plate or Adapters to allow for maximum of 10mm clearance.



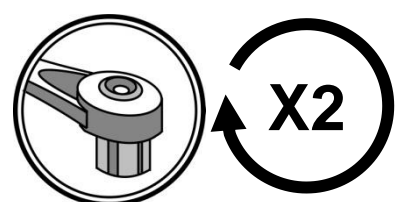
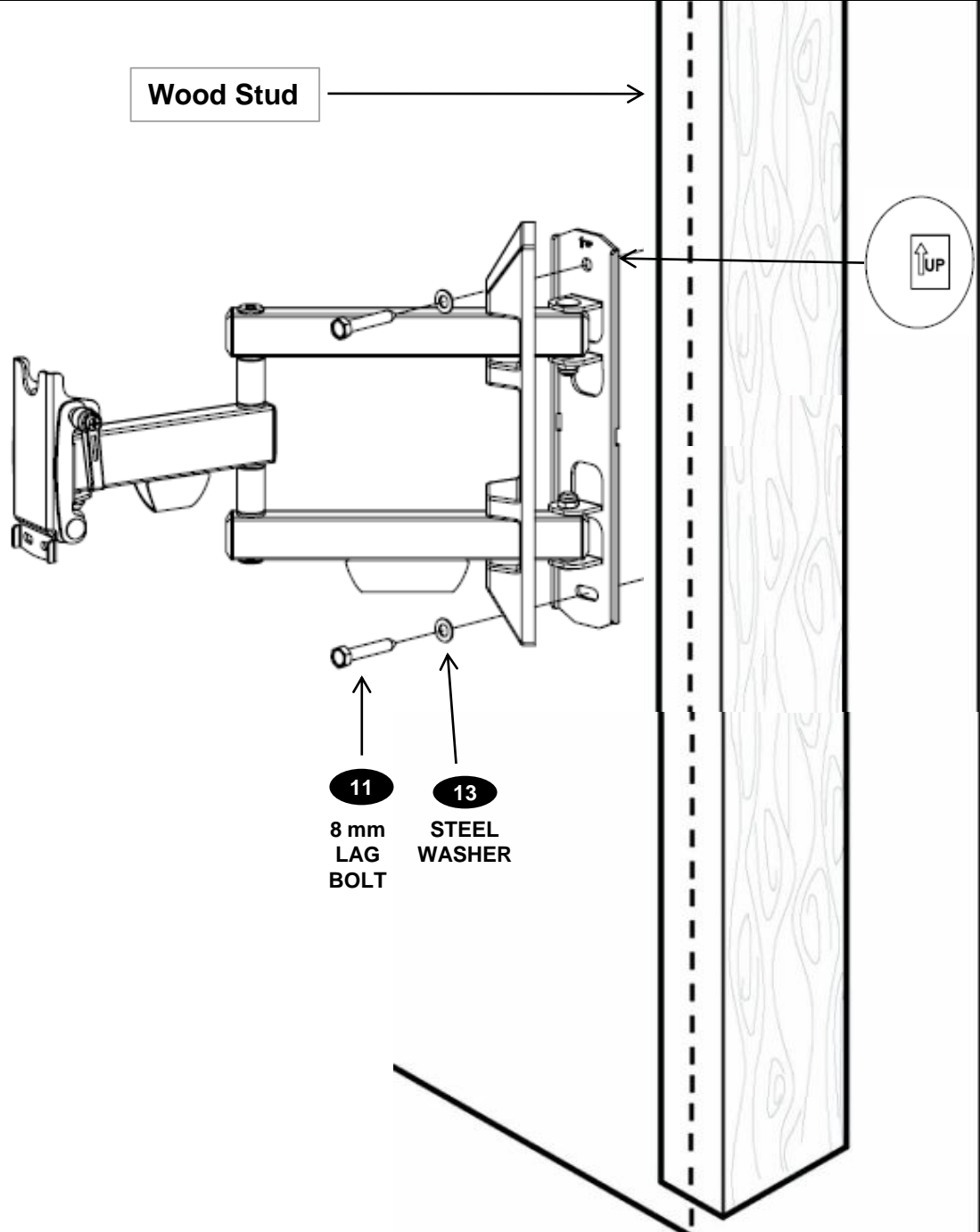
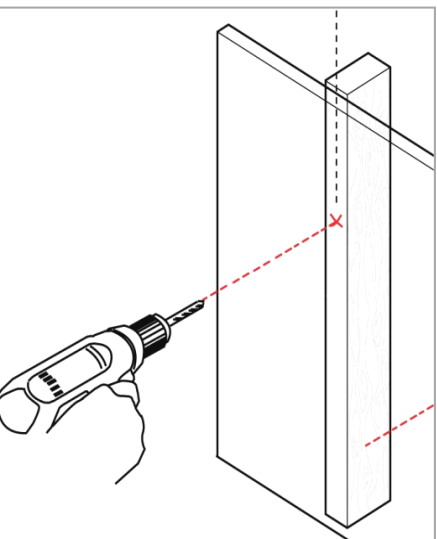
STEP 3A- WOOD STUD (CONCRETE INSTALLATION SKIP TO STEP 3B)

Find stud and mark edge and center locations



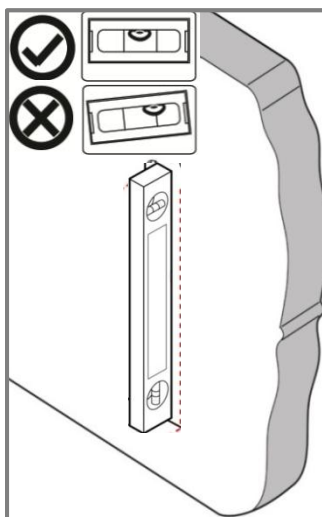
STEP 3A – DRILL PILOT HOLE AND MOUNT WALL PLATE

Mount wall plate

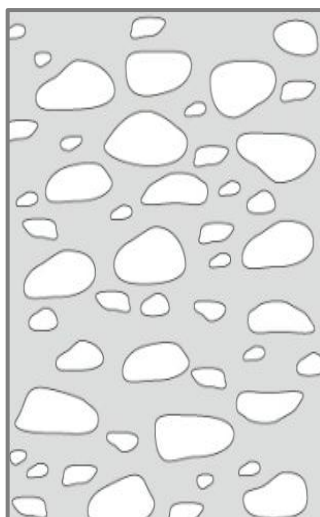


STEP 3B – SOLID CONCRETE INSTALLATION

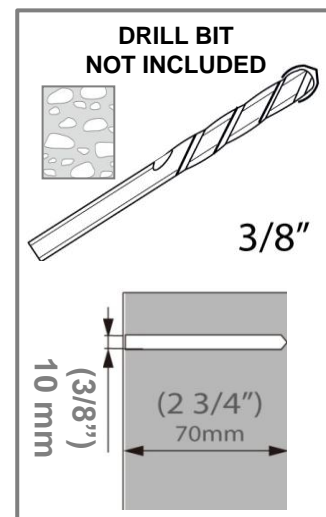
Level



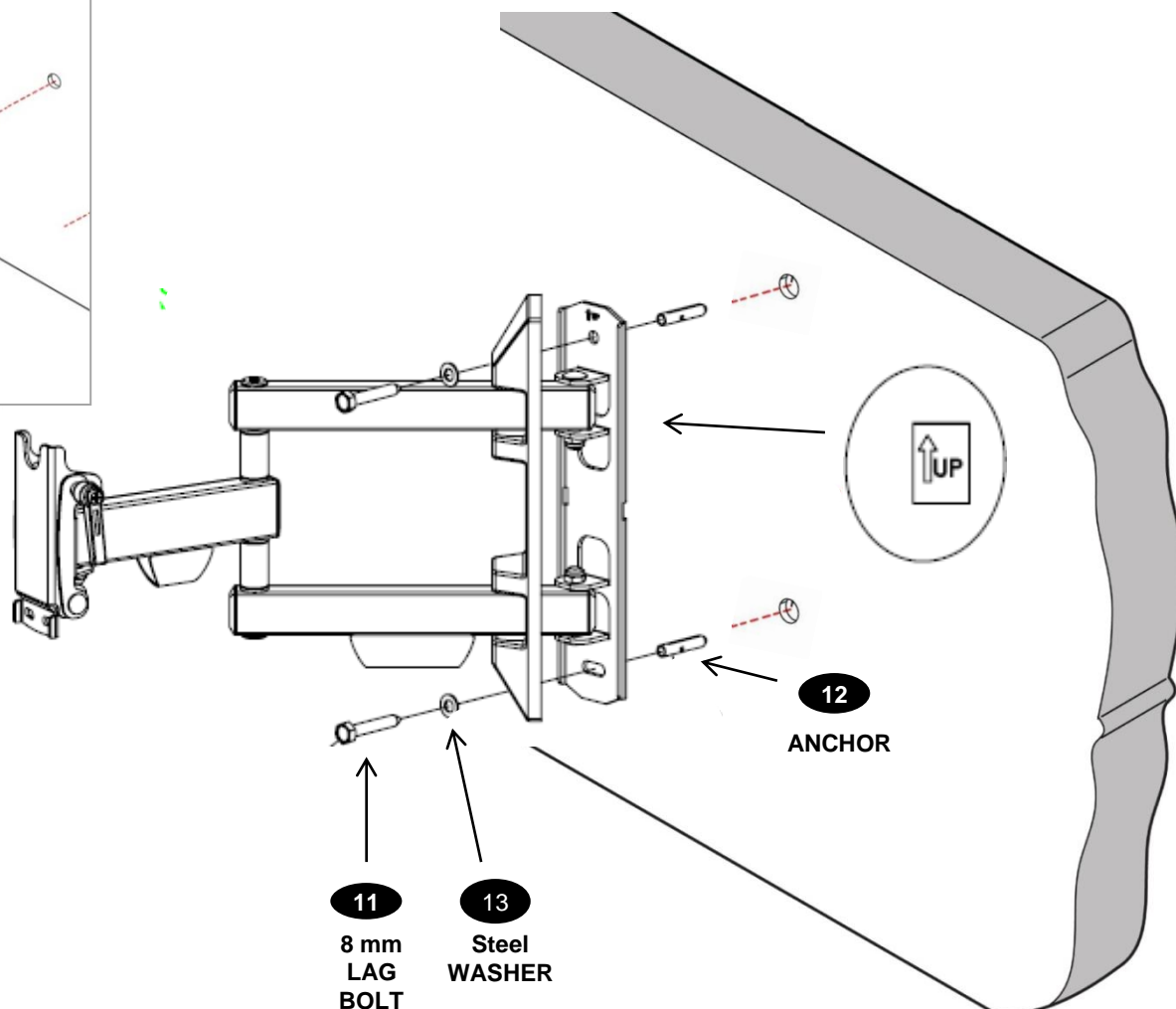
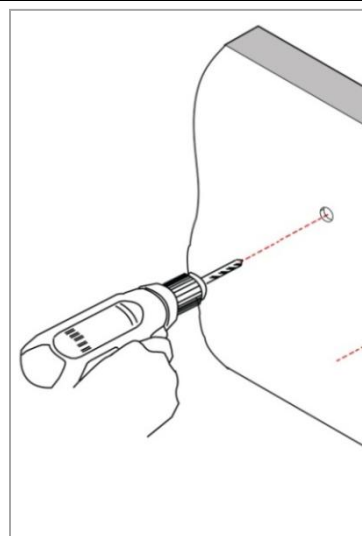
Solid Concrete



Drill pilot hole



STEP 3B – DRILL PILOT HOLE AND MOUNT WALL PLATE



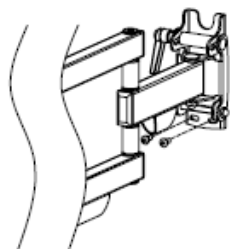
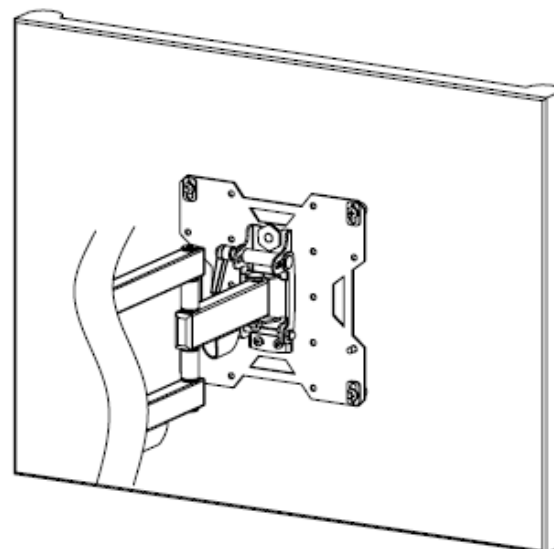
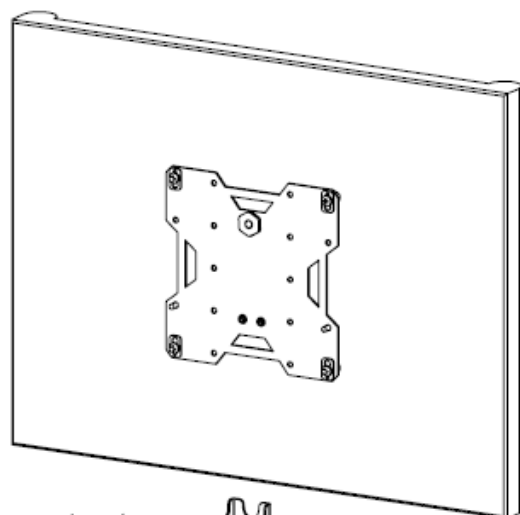
11
8 mm
LAG
BOLT

13
Steel
WASHER

12
ANCHOR

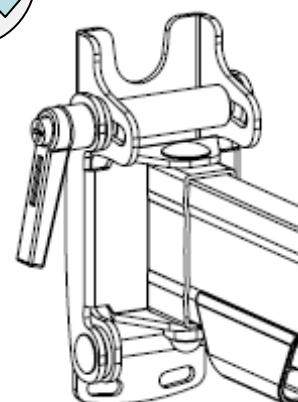
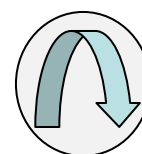
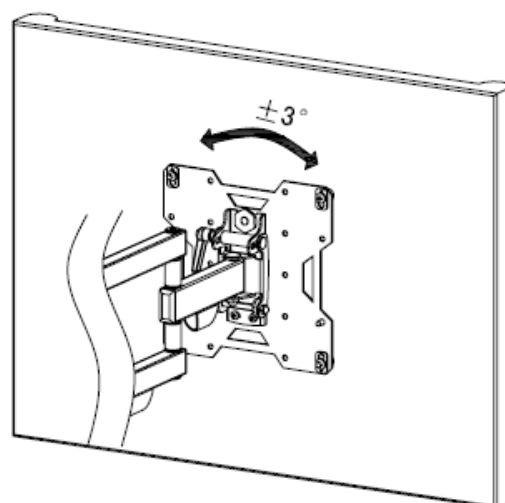
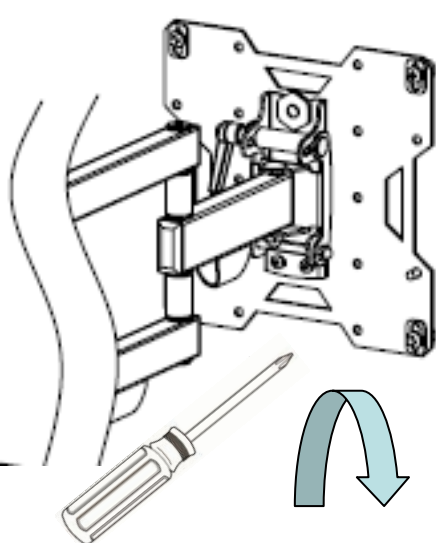
STEP 4 - ATTACH PANEL TO MOUNT

Hang with monitor attached



STEP 4 - SECURE MONITOR PLATE TO ARM ASSEMBLY, LEVEL, AND TILT

Locking mechanism



Secure Monitor Plate to Arm using 2 philips screws and Cross screwdriver . Tighten only to snug tension.

Flat panel can be leveled (+/- 3 degrees) as needed. If security screws are tensioned tight it will be difficult to adjust leveling.

Rotate Ratchet Handle clockwise to tension tilt mechanism. For additional tension Pull lever to side, rotate counter-clockwise and repeat tension process. Position panel to desired tilt angle.

WARRANTY INFORMATION

Manufacturer warrants this product against defects in material or workmanship for the original purchaser of the product with the following conditions:

WARRANTY PERIOD:

"The three-Year Limited Manufacturer's Warranty" covers this product against defects in materials or workmanship from the date of purchase by the original consumer for a period of three (3) years for parts and labor.

SERVICE:

If the product fails under normal use due to a manufacturing defect within the warranty period, the consumer will be responsible for the cost of shipping the product to an authorized service center - NXG Technology will pay for the return shipment. Manufacturer will repair or replace the defective item with a new or factory rebuilt replacement at Manufacturer's discretion. The warranty will be equal to the remainder of the original limited warranty period on the original product or for 90 days after the date of repair / replacement, whichever is longer. All services must be performed by an Authorized Service Center. All replaced parts will be the property of Manufacturer. To obtain warranty service please send an email to support@nxgtechnology.com.

COVERAGE:

Manufacturer's liability under this limited warranty shall in no event exceed the cost of authorized repairs, replacement with a similar product, reimbursement for authorized repairs or replacement, or the original cost of the product at the time of purchase, whichever is less.

- This warranty is valid in the continental United States of America.
- Proof of purchase in the form of a bill of sale, invoice or sales receipt, which is evidence that the unit is within the warranty period, must be presented to obtain warranty service

LIMITATION OF LIABILITY:

There are no other expressed warranties, whether written or oral, other than this printed limited warranty. All implied warranties, including without limitation the implied warranties or merchantability or fitness for a particular purpose, are limited to the durations of this limited warranty.

In no event shall NXG Technology be liable for incidental or consequential damages of any nature whatsoever, including but not limited to lost profit or commercial loss, to the full extent those damages can be disclaimed by law.

Some states do not allow the exclusion or limitation of incidental or consequential damage, or limitation of the duration of implied warranties, so the preceding limitations or exclusions may not apply to all purchasers. This warranty gives the original purchaser specific legal rights, and you may also have other rights, which may vary from state to state.