

# NX-SS4 4-Zone & NX-SS6 6-Zone Automatic Impedance Matching Speaker Selectors

Congratulations on choosing the NX-SS4/NX-SS6 Impedance Matching Speaker Selector. Like all NXG products, great care has been taken in its design. We hope the combination of advanced engineering and state-of-the-art materials will provide you with a lifetime of listening pleasure.

## Introduction

The NX-SS4 and NX-SS6 are resistor based, impedance matching speaker selectors used for connecting four or six pairs of (4 ohm or 8 ohm) speakers while maintaining a safe impedance load for your receiver or amplifier. Each pair of speakers can be turned on or off independently in any combination, by the pushbuttons on the front of the unit, without concern for amplifier loading.

## Features and Benefits

1. Connect and safely control multiple speaker pairs with one amplifier.
2. Automatic impedance protection circuitry engages without the need for user involvement.
3. Individual room on/off pushbuttons.
4. Heavy-duty screw-type connectors, capable of accepting up to 12 AWG wire, provide positive hookup to input and output wires.
5. Isolated left/right circuit grounds provide safe connection for amplifiers with floating grounds or bridged configuration.
6. High quality construction throughout provides excellent reliability, accurate noise-free switching, and years of trouble-free operation.
7. Intelligent design allows simple installation, easy connection, and trouble-free operation.
8. Rubber feet prevent scratching and keep selector in place during operation.

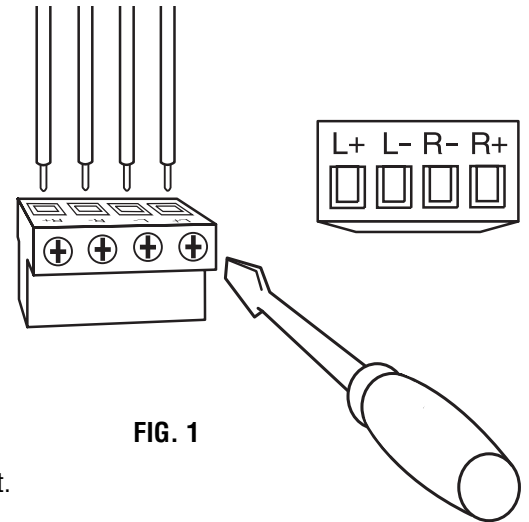


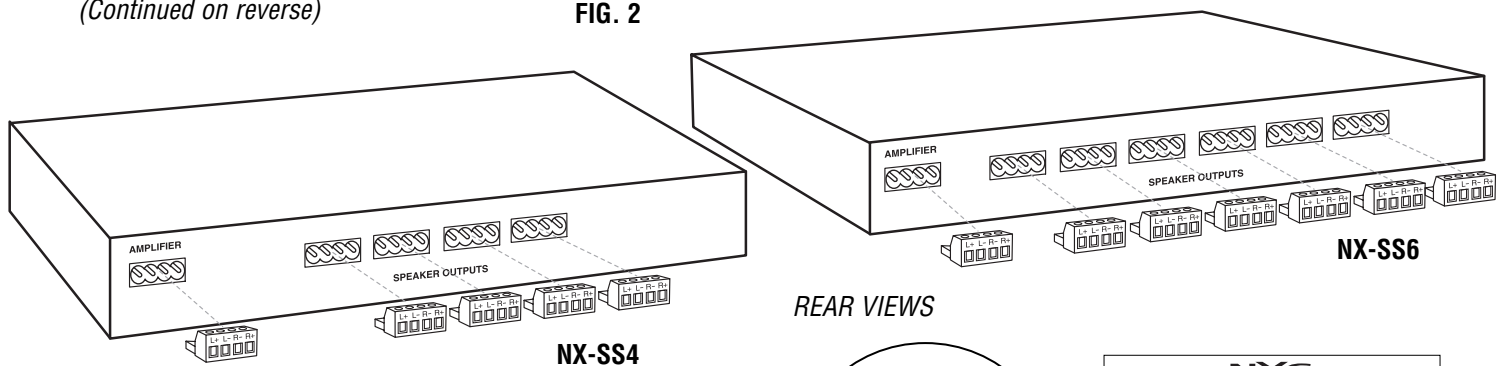
FIG. 1

## Wiring Instructions

Follow the suggestions that came with your receiver or speakers for determining the correct wire gauge needed to connect your NX-SS4/NX-SS6 speaker selector. Lay out all wire runs from each speaker location and your receiver to your selector. Remove the connector blocks from the selector and make all the connections to the connector blocks as shown in Figure 1. (If your receiver or amplifier has both A & B outputs connect your NX-SS4/NX-SS6 to your receiver's A outputs.) Pay close attention to make certain all strands of bare wire are completely inserted into the connector properly and that no loose strands are outside the connector hole. Any loose strands could possibly touch another wire and short the receiver's output. After you have tightened the screw terminals to secure the wires, insert the connector block back into your selector as shown in Fig 2.

(Continued on reverse)

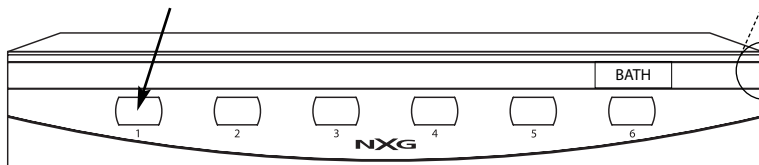
FIG. 2



REAR VIEWS

ON-OFF Push Buttons  
Button In = ON  
Button Out = OFF

Room labels  
slide in side slot



FRONT VIEW (NX-SS6)

NXG TECHNOLOGY			
ATRIUM	DINING ROOM	HALL	PATIO
BAR	ENTRANCE	JACUZZI	PLAY ROOM
BASAMENT	EXERCISE ROOM	KITCHEN	POOL
BATH	FAMILY ROOM	LAUNDRY	PORCH
BEDROOM 1	FOYER	LIBRARY	REC ROOM
BEDROOM 2	GALLERY	LIVING ROOM	SALINA
BEDROOM 3	GAME ROOM	LOFT	SHOP
BEDROOM 4	GARAGE	MEDIA ROOM	SITTING ROOM
BEDROOM 5	GARDEN	MEZZANINE	STARWAY
BREEZEWAY	GUEST BATH	MASTER BATH	STUDY
COURTYARD	GUEST BEDROOM	MASTER BEDROOM	SUN ROOM
DECK	GUEST ROOM	NURSERY	THEATER ROOM
DEK	GYM	OFFICE	VERANDA

Typical system diagram for NX-SS6 speaker selector showing three speaker pairs directly connected (left) and three using optional room volume controls (right).

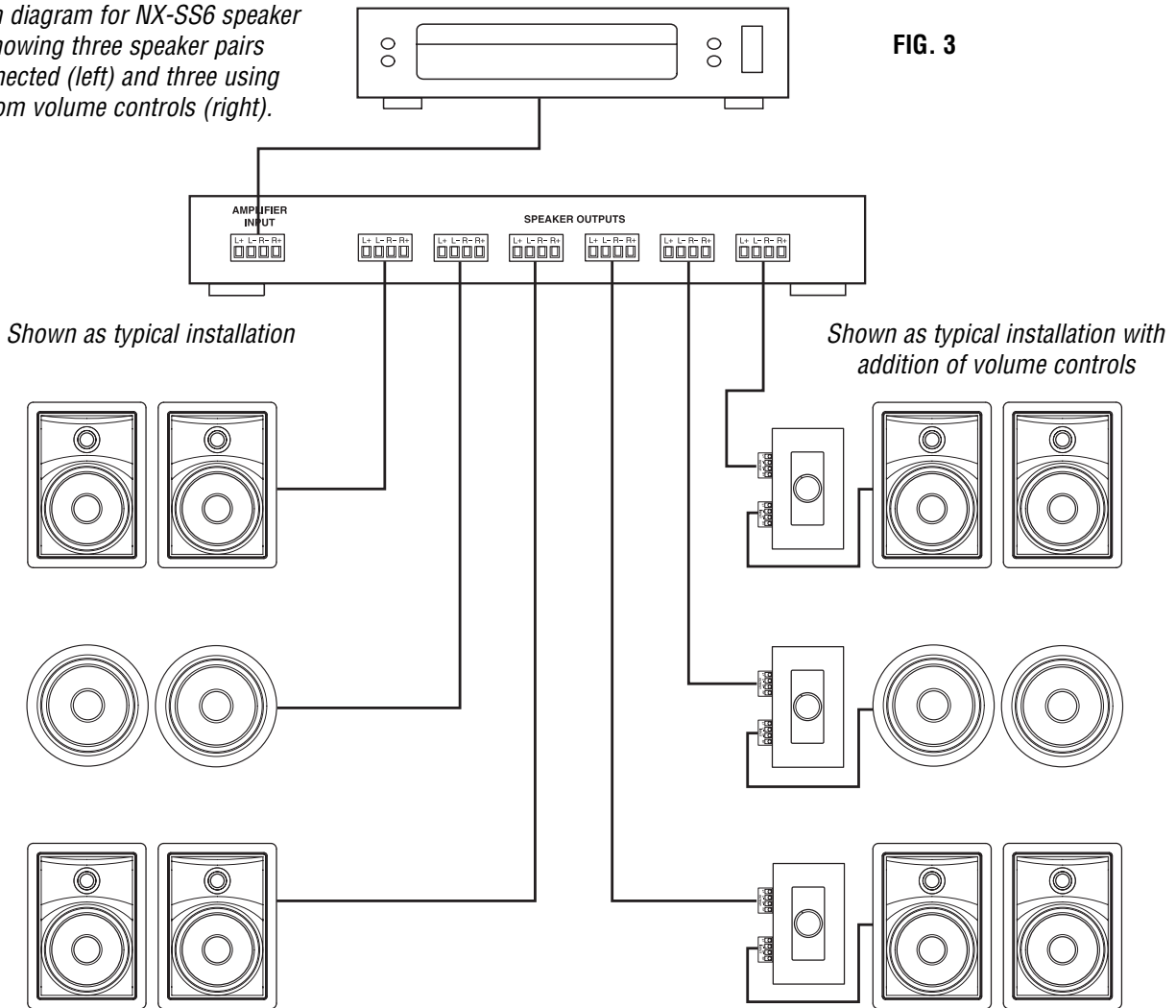


FIG. 3

## Specifications

**Power Handling:** 100 watts RMS per channel  
**Frequency Response:** 20 Hz – 22kHz (+0dB, -0dB)  
**Selector Type:** Noise-free, front access, pushbuttons  
**Wire Size Acceptance:** 2 or 4 conductor, stranded, 16 AWG to 12 AWG  
**Dimensions:** 1<sup>7</sup>/<sub>8</sub>" (48mm) H x 11<sup>1</sup>/<sub>2</sub>" (292mm) W x 7" (178mm) D  
 (Including connectors and pushbuttons)

### Maximum Number of Speaker Connections:

NX-SS4: 4 pairs / 4 ohm minimum  
 NX-SS6: 6 pairs / 4 ohm minimum.

### Minimum Amplifier Impedance w/All Speakers Selected:

NX-SS4 (with 8 ohm speakers connected): 6 ohm  
 NX-SS4 (with 4 ohm speakers connected): 5 ohm  
 NX-SS6 (with 8 ohm speakers connected): 5.3 ohm  
 NX-SS6 (with 4 ohm speakers connected): 4.6 ohm

### NXG One-Year Limited Warranty

If the NXG speaker selector proves to be defective in workmanship or materials within one year from the date of the original customer's purchase, we will, at our option, repair or replace the defective product.

### Limitation of Implied Warranties

Any implied warranties, including warranties of merchantability and fitness for a particular purpose, are limited in duration to the length of this warranty.

### Exclusion of Certain Damages

NXG's liability for any defective product is limited to repair or replacement of the product at our option. NXG shall not be liable for incidental or consequential damages of any kind or character because of product defects. Some states do not allow limitations

on how long an implied warranty lasts and/or do not allow the exclusion or limitation of incidental or consequential damages, so the above limitations and exclusions may not apply.

### This Warranty Does Not Cover:

- Damage caused by abuse, accident, misuse, negligence, or improper operation.
- Any product whose serial number has been altered, defaced, or removed.
- Products that have been altered or modified.
- Normal wear and maintenance.
- Damages caused by shipping. (All claims for shipping damage must be made with the carrier.)

### Warranty Service

Warranty service must be performed by an authorized service center, usually a NXG speaker systems dealer or its authorized agent. You may obtain a list of authorized service centers by contacting NXG. All warranty repairs must be accompanied by the original bill of sales. No other document is acceptable or is required. This warranty gives you specific legal rights, and you may also have other rights which vary from state to state.

NXG reserves the right to revise speaker system specifications without notice.

**NXG**  
TECHNOLOGY

16648 North 94th Street  
 Scottsdale, AZ 85260  
 1-800-733-0008  
 www.nxgtech.com