

## NX-AB2 Dual Source Selector Switch

Congratulations on choosing the NX-AB2 Wall Mount Amplifier - Speaker Selector Switch. Like all NXG products, great care has been taken in its design. We hope the combination of advanced engineering and state-of-the-art materials will provide you with a lifetime of listening pleasure.

### Introduction

The NX-AB2 is a stereo (two channel), dual source selector switch that allows a single pair of speakers to be switched between two amplifier sources or a single amplifier output to be switched between two pairs of speakers.

The NX-AB2 is ideal for situations where one pair of speakers shares two amplifier sources. For example, a pair of speakers located in a living room that are also used as home theater speakers. The speakers connect to a remote amplifier for background music and can be switched to connect to the home theater amplifier when watching a movie.

The NX-AB2 can also be used in situations where one amplifier powers two sets of speakers located in different areas of the home. For example, one amplifier's output could be switched between a set of outdoor speakers and another set of indoor speakers.

### Features and Benefits

- Designed for use with Class 2 wiring
- Switch between two amplifiers and one pair of speakers or two pairs of speakers and one amplifier
- Compatible with any speaker and/or volume control combination
- Two stereo amplifier source inputs and one stereo speaker output
- 100 watts RMS power handling
- Detachable 12-gauge capable connectors
- Includes white, almond, and Ivory Decora style insert plate and button color change kits.
- High quality, heavy-duty construction throughout provides excellent reliability.
- Intelligent design allows simple installation, easy connection, and trouble free operation.

### Installation Instructions

1. Make sure to use properly rated, polarity identified speaker wire from the receivers/amplifiers to the junction box where you want the NX-AB2, then run wire from the junction box to the speaker locations. Be sure to leave enough extra wire to make connections outside the junction box and speaker cutouts. (See Fig. 1)

2. Strip about 1/4" of insulation from the end of each wire. Connect the exposed bare wire to the removable connector plugs as shown in Fig. 2.

*(Continued on reverse)*

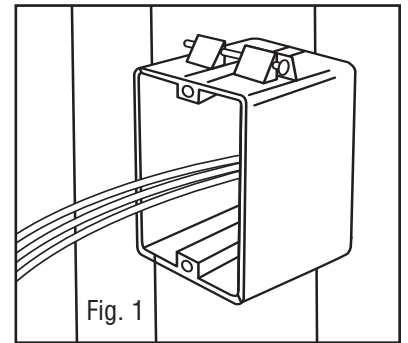


Fig. 1

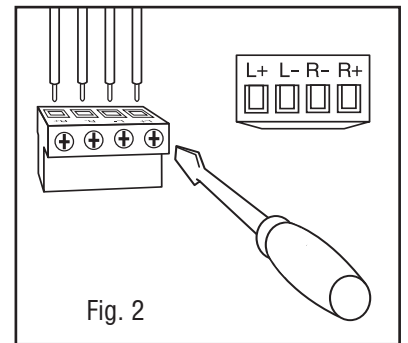
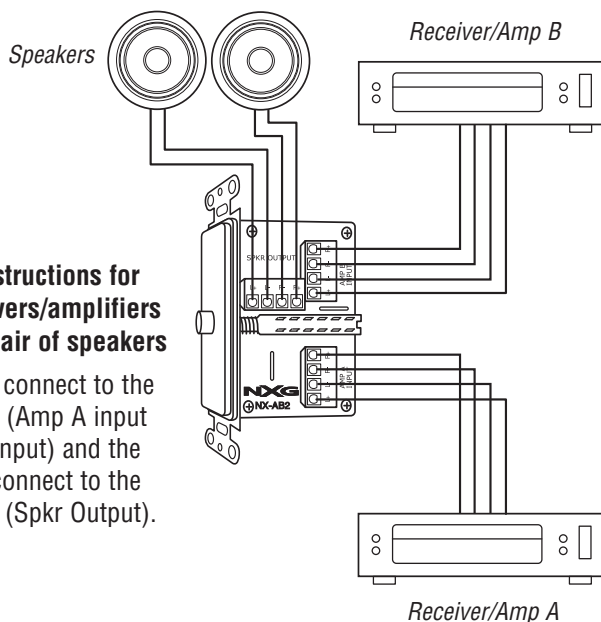


Fig. 2

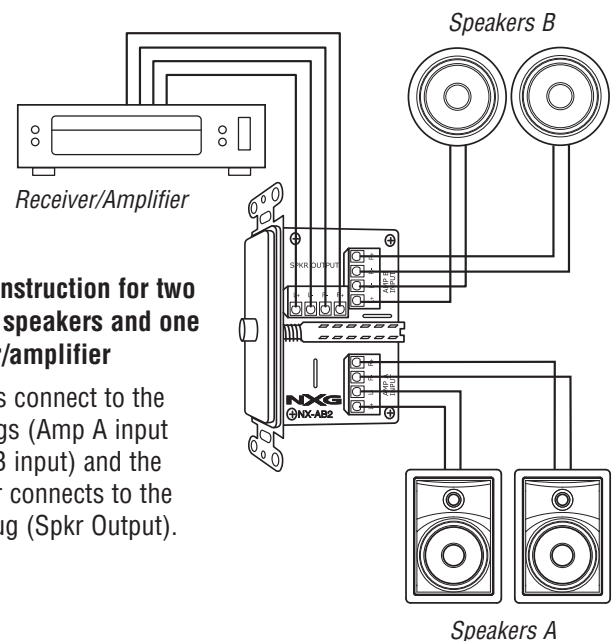
#### 2A. Wiring Instructions for two receivers/amplifiers and one pair of speakers

Amplifiers connect to the blue plugs (Amp A input & Amp B input) and the speakers connect to the black plug (Spkr Output).

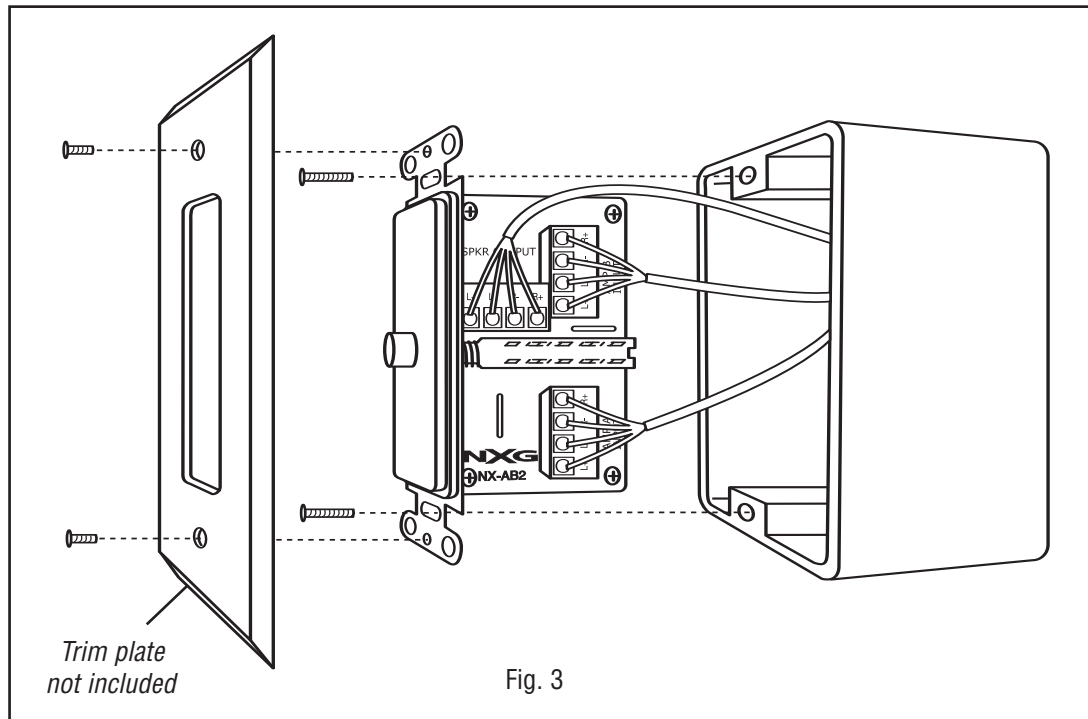


#### 2B. Wiring Instruction for two pairs of speakers and one receiver/amplifier

Speakers connect to the blue plugs (Amp A input & Amp B input) and the amplifier connects to the black plug (Spkr Output).



3. Pay close attention to the identification markings on the connectors when inserting each wire to maintain proper polarity throughout the system from your amplifier to the NX-AB2 switch, and out to your speakers. Be sure to twist the loose strands of each wire together into a tight bundle when inserting it into the small opening of the connector to prevent loose strands from touching each other.
4. Now plug the wired connectors onto the NX-AB2 and mount the unit into your junction box using the supplied screws as shown in Fig. 3.
5. If you are not using a white trim plate, change the insert and pushbutton to match your color.  
Note: Almond and Ivory parts are included. For any other color you will need to paint to match your color.
6. Install your matching trim plate (not supplied).



### ***NX-AB2 Kit Includes:***

- 1 - Switch unit
- White, Ivory, & Almond Decora style insert plates w/ matching pushbuttons
- 2 - Mounting screws

### ***NX-AB2 Specifications***

#### ***Power Handling:***

100 watts RMS per channel

#### ***Frequency Response:***

20 Hz - 22kHz (+0dB, -0dB)

#### ***Wire size acceptance:***

2 or 4 conductor, stranded,  
16 AWG to 12 AWG

#### ***Dimensions:***

4<sup>1</sup>/<sub>8</sub>" (105mm) H x

1<sup>7</sup>/<sub>16</sub>" (37mm) W x

1<sup>13</sup>/<sub>16</sub>" (46mm) D

(Depth does not include plastic face plate insert or push button)

#### ***Connections:***

3 pairs, removable screw terminals accept up to 12 AWG wire

***Designed for use with Class 2 wiring only***

### ***NXG One-Year Limited Warranty***

If the NXG product proves to be defective in workmanship or materials within one year from the date of the original customer's purchase, we will, at our option, repair or replace the defective product.

### ***Limitation of Implied Warranties***

Any implied warranties, including warranties of merchantability and fitness for a particular purpose, are limited in duration to the length of this warranty.

### ***Exclusion of Certain Damages***

NXG's liability for any defective product is limited to repair or replacement of the product at our option. NXG shall not be liable for incidental or consequential damages of any kind or character because of product defects. Some states do not allow limitations on how long an implied warranty lasts and/or do not allow the exclusion or limitation of incidental or consequential damages, so the above limitations and exclusions may not apply.

### ***This Warranty Does Not Cover:***

- Damage caused by abuse, accident, misuse, negligence, or improper operation.
- Any product whose serial number has been altered, defaced, or removed.
- Products that have been altered or modified.
- Normal wear and maintenance.
- Damages caused by shipping. (All claims for shipping damage must be made with the carrier.)

### ***Warranty Service***

Warranty service must be performed by an authorized service center, usually a NXG dealer or its authorized agent. You may obtain a list of authorized service centers by contacting NXG. All warranty repairs must be accompanied by the original bill of sales. No other document is acceptable or is required. This warranty gives you specific legal rights, and you may also have other rights which vary from state to state.

*NXG reserves the right to revise specifications without notice.*

**NXG**  
TECHNOLOGY

16648 North 94th Street  
Scottsdale, AZ 85260  
1-800-733-0008

[www.nxgtech.com](http://www.nxgtech.com)