

NX-VCH8 Volume Control Distribution Hub

Congratulations on choosing the NX-VCH8 Volume Control Distribution Hub. Like all NXG products, great care has been taken in its design. We hope the combination of advanced engineering and state-of-the-art materials will provide you with a lifetime of listening pleasure.

Introduction

The NX-VCH8 is a stereo (two channel), one input, eight output, broad frequency response, volume control distribution hub. The NX-VCH8 provides a simple solution in complex speaker installations providing an easy way to connect from two to eight volume controls and pairs of stereo speakers to a single stereo receiver/amplifier. All outputs are labeled easing both connection and troubleshooting of a system.

WARNING: THE NX-VCH8 DOES NOT PROVIDE INTERNAL IMPEDANCE CORRECTION. YOU MUST USE IMPEDANCE MATCHING TYPE VOLUME CONTROLS TO PROVIDE AMPLIFIER PROTECTION SUCH AS THE NXG NX-VM80 OR NX-VMS100.

Features and Benefits

- Designed for use with Class 2 wiring
- Parallel connecting block for use with Impedance matching volume controls
- One Stereo Input, eight stereo outputs
- Detachable connectors for easy wiring
- Compact size fits standard structured wiring panels
- Heavy-duty PC mounted screw-type connectors, capable of accepting up to 14 AWG wire, provide solid hookup to input and output wires.
- Isolated left/right circuit grounds provide safe connection for amplifiers with floating grounds or bridged configuration.
- High quality, heavy-duty construction throughout provides excellent reliability.
- Intelligent design allows simple installation, easy connection, and trouble free operation.

Mounting and Wiring Instructions

1. The NX-VCH8 is designed to be mounted in a structured wiring panel or surface mounted in a central location where all your wires are routed (typically in a basement, utility room, or attic). Secure the NX-VCH8 to a wall or panel using the two mounting holes on each end of the unit. Fig. 1 shows a typical layout for 8 stereo speakers with impedance matching volume controls for a typical home system.

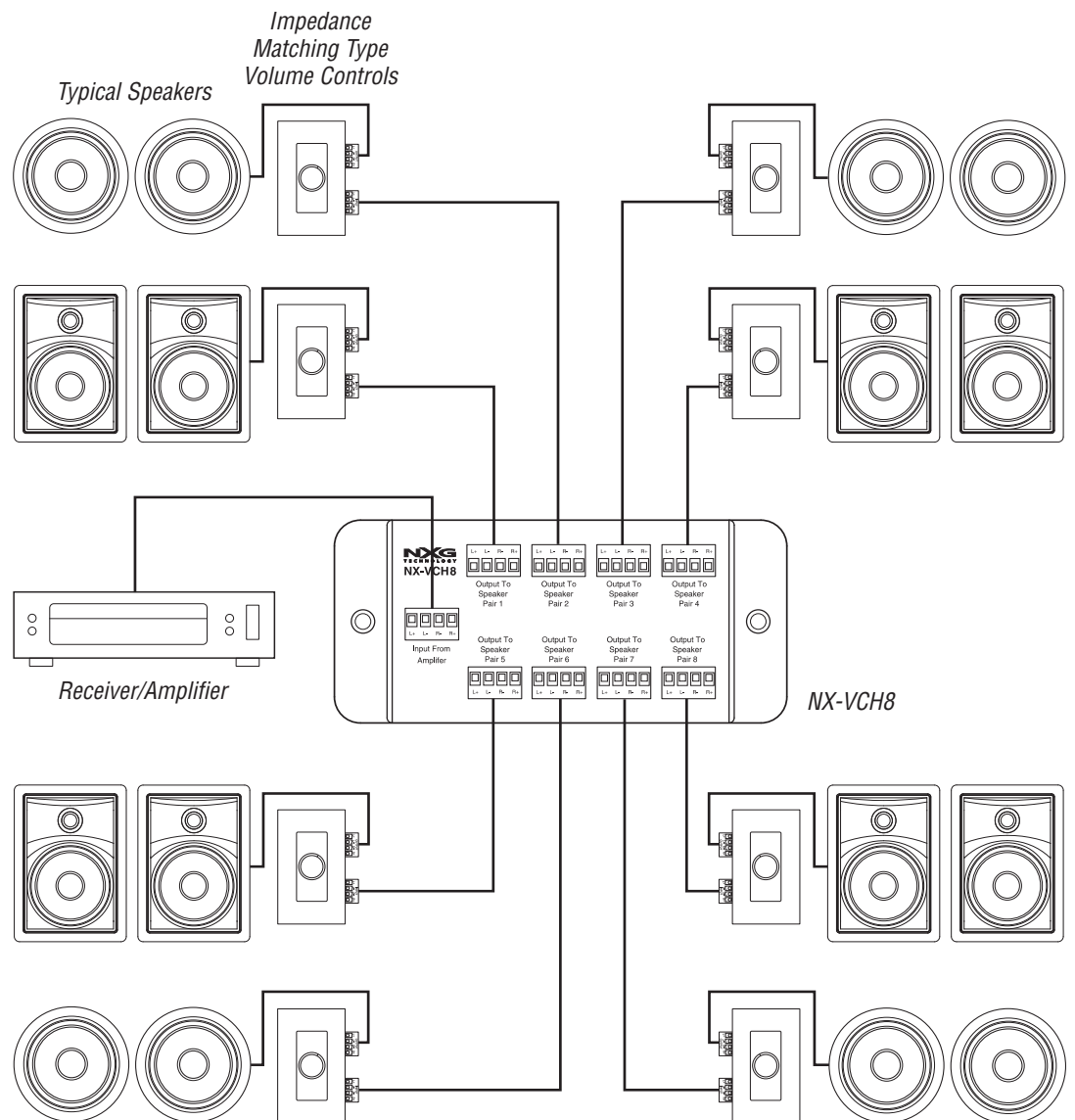


Fig. 1

(Continued on reverse)

2. Make sure to use properly rated, polarity identified speaker wire from the receiver/amplifier to the NX-VCH8, then run wires to the volume control/speaker locations. Be sure to leave enough extra wire to make connection to the terminal blocks.
3. Strip about 1/4" of insulation from the end of each wire. Connect the exposed bare wire to the removable connector plugs using a small screwdriver as shown in Fig. 2.
4. Pay close attention to the identification markings on the connectors when inserting each wire to maintain proper polarity throughout the system from your amplifier to the NX-VCH8 hub, and out to your volume controls and speakers. Be sure to twist the loose strands of each wire together into a tight bundle when inserting it into the small opening of the connector to prevent loose strands from touching each other.
5. Install the connector plugs back on the NX-VCH8 as shown in Fig. 3.

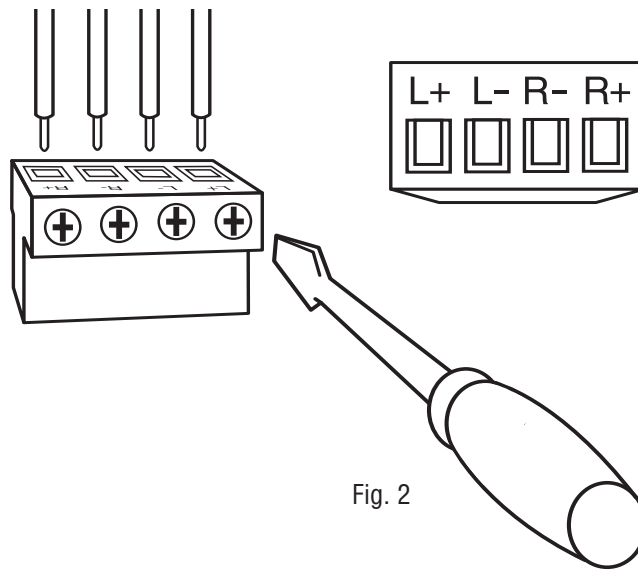


Fig. 2

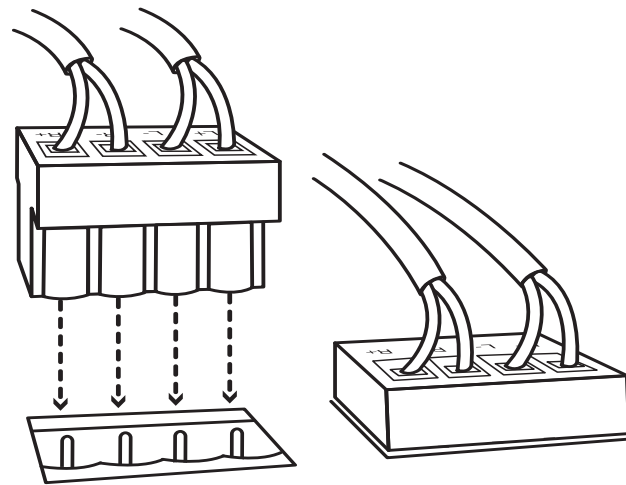


Fig. 3

NX-VCH8 Specifications

Power Handling:

150 watts RMS per channel
(suitable for use with 300 watt
per channel rated
receivers/amplifiers)

Frequency Response:

20 Hz - 22kHz (+0dB, -0dB)

Wire size acceptance:

2 or 4 conductor, stranded,
16 AWG to 14 AWG

Dimensions:

6⁷/₈" (175mm) W x

3³/₃₂" (76mm) H x

1³/₁₆" (30mm) D

including connectors

Mounting Hole Diameter:

7¹/₃₂" (5.5mm)

Maximum Number of Volume

Control/Speaker Connections:

8 pairs

Designed for use with Class 2

wiring only

NXG One-Year Limited Warranty

If the NXG product proves to be defective in workmanship or materials within one year from the date of the original customer's purchase, we will, at our option, repair or replace the defective product.

Limitation of Implied Warranties

Any implied warranties, including warranties of merchantability and fitness for a particular purpose, are limited in duration to the length of this warranty.

Exclusion of Certain Damages

NXG's liability for any defective product is limited to repair or replacement of the product at our option. NXG shall not be liable for incidental or consequential damages of any kind or character because of product defects. Some states do not allow limitations on how long an implied warranty lasts and/or do not allow the exclusion or limitation of incidental or consequential damages, so the above limitations and exclusions may not apply.

This Warranty Does Not Cover:

- Damage caused by abuse, accident, misuse, negligence, or improper operation.
- Any product whose serial number has been altered, defaced, or removed.
- Products that have been altered or modified.
- Normal wear and maintenance.
- Damages caused by shipping. (All claims for shipping damage must be made with the carrier.)

Warranty Service

Warranty service must be performed by an authorized service center, usually a NXG dealer or its authorized agent. You may obtain a list of authorized service centers by contacting NXG. All warranty repairs must be accompanied by the original bill of sales. No other document is acceptable or is required. This warranty gives you specific legal rights, and you may also have other rights which vary from state to state.

NXG reserves the right to revise specifications without notice.

NXG
TECHNOLOGY

16648 North 94th Street
Scottsdale, AZ 85260
1-800-733-0008

www.nxgtech.com