

NX-OVC Universal Weatherproof Volume Control Enclosure

Congratulations on choosing the NX-OVC Universal Weatherproof Volume Control Enclosure. Like all NXG products, great care has been taken in its design. We hope the combination of advanced engineering and state-of-the-art materials will provide you with a lifetime of listening pleasure.

Introduction

The NX-OVC is a complete weatherproof housing for most loudspeaker volume controls. The NX-OVC provides moisture protection from rain, pool splash, or automatic sprinkler systems when you need a volume control in an outdoor location such as a deck, patio, or near a sauna. It is designed to be mounted to an exterior wall or hard, flat, surface and has a 3/4" PVC conduit opening in the bottom to allow wiring access to the unit.

Features and Benefits

- Designed for use with Class 2 wiring
- Rugged ABS housing resists harsh effects of nature.
- Compatible with most volume controls.
- Offset inlet in bottom accepts 3/4" PVC conduit.
- Includes stainless steel hardware to resist rusting
- Surface mount design

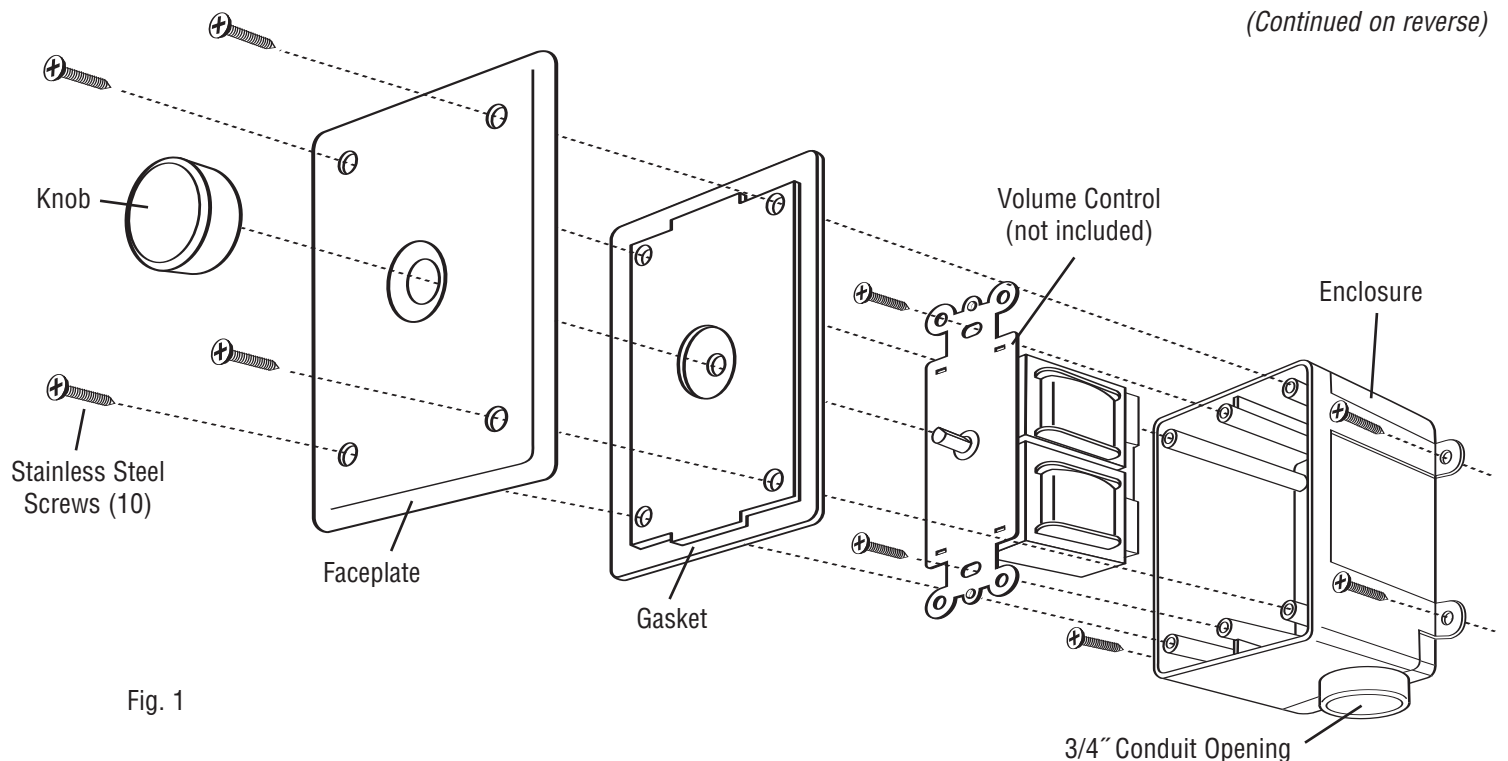
Parts Included

- 1 - Enclosure
- 1 - Faceplate
- 1 - Gasket
- 1 - Knob
- 10 - Stainless steel screws

Mounting & Wiring Instructions (See Figs. 1 & 2)

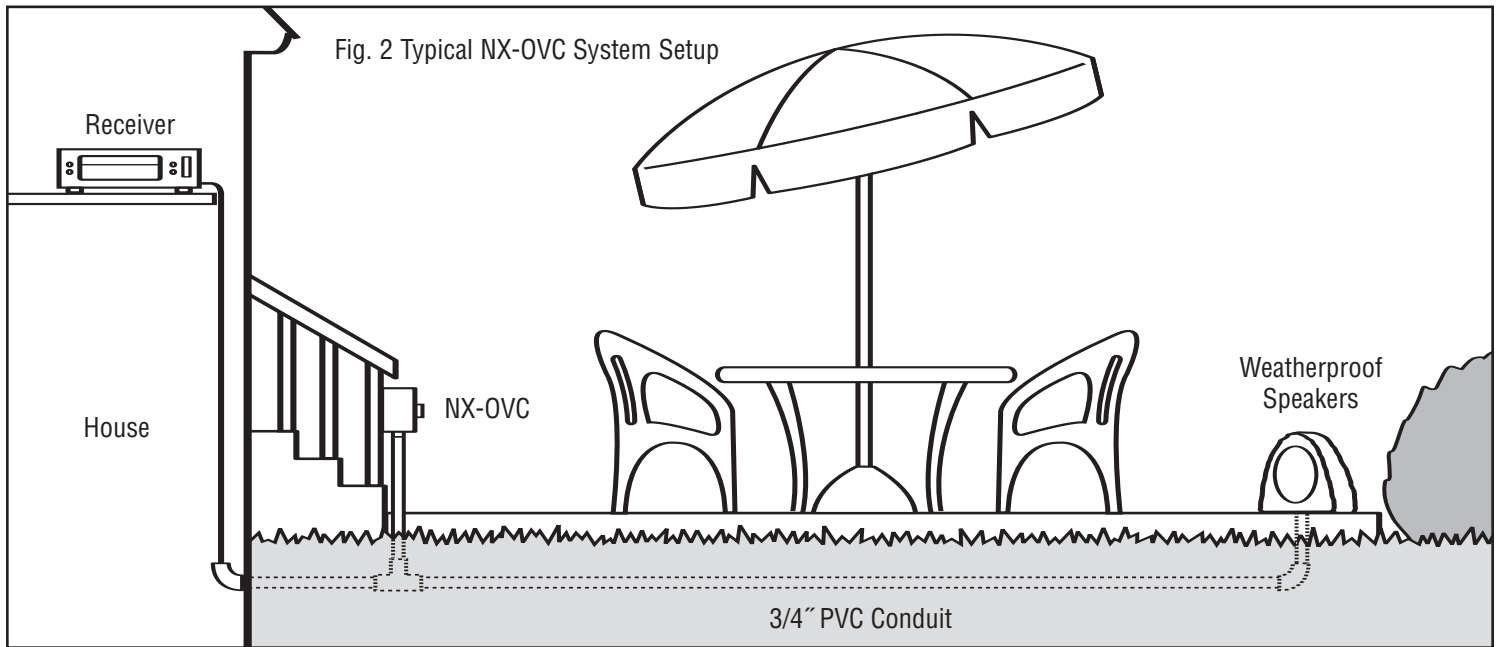
1. Determine where you want your control to be located (near a sauna, poolside, by a barbeque pit, on a deck, or near some other outdoor controls, etc.). Avoid mounting near any electrical devices, as interference may occur which will cause buzzing in your speakers. DO NOT run 120 volt electrical wiring inside the same conduit as the amplifier and speaker wiring.

2. Temporarily place the NX-OVC enclosure (back box) where you want it with four of the supplied screws (if you are mounting to a wood surface) or use appropriate screws and proper wall anchors (not supplied) if mounting to a masonry or concrete surface. Do not permanently mount the enclosure until completing steps 3 - 6 on the reverse side.



(Continued on reverse)

Fig. 1



3. Layout your wiring system using 3/4" PVC conduit and run one piece up to the NX-OVC and check the fit of all connections before you glue the joints.
4. Run wires from your receiver/amplifier to the NX-OVC and connect to your volume control as outlined in your volume control and receiver's manual. Then run the wires from the volume control to your outdoor speakers as outlined in your speaker's manual.
5. Once all the electrical connections have been completed, check the system for proper operation.
6. If everything is working OK, go ahead and mount the volume control into the NX-OVC enclosure using two of the supplied screws. Then permanently mount the NX-OVC to the wall and cement all the conduit connections using PVC adhesive. Double check all conduit connections for a good watertight seal. Inadequate sealing of any conduit joint could cause moisture buildup inside the conduit system and the NX-OVC enclosure, which could cause erratic operation or failure of the volume control.
7. Make sure the gasket is seated properly in the face plate and press it into place. The center hole of the gasket should stretch over the volume control shaft to create a watertight seal.
8. Screw the cover plate to the enclosure using four of the supplied screws.
9. Finally, place the supplied knob on the volume control shaft.

NXG One-Year Limited Warranty

If the NXG product proves to be defective in workmanship or materials within one year from the date of the original customer's purchase, we will, at our option, repair or replace the defective product.

Limitation of Implied Warranties

Any implied warranties, including warranties of merchantability and fitness for a particular purpose, are limited in duration to the length of this warranty.

Exclusion of Certain Damages

NXG's liability for any defective product is limited to repair or replacement of the product at our option. NXG shall not be liable for incidental or consequential damages of any kind or character because of product defects. Some states do not allow limitations on how long an implied warranty lasts and/or do not allow the exclusion or limitation of incidental or consequential damages, so the above limitations and exclusions may not apply.

This Warranty Does Not Cover:

- Damage caused by abuse, accident, misuse, negligence, or improper operation.
- Any product whose serial number has been altered, defaced, or removed.
- Products that have been altered or modified.
- Normal wear and maintenance.
- Damages caused by shipping. (All claims for shipping damage must be made with the carrier.)

Warranty Service

Warranty service must be performed by an authorized service center, usually a NXG dealer or its authorized agent. You may obtain a list of authorized service centers by contacting NXG. All warranty repairs must be accompanied by the original bill of sales. No other document is acceptable or is required. This warranty gives you specific legal rights, and you may also have other rights which vary from state to state.

NXG reserves the right to revise specifications without notice.

NX-OVC Specifications

Enclosure & Faceplate Material:
Weatherproof ABS

Gasket Material:
Silica gel PVC

Dimensions (including enclosure mounting feet, conduit opening & face plate):

5¹/₈" (130mm) H x

3⁷/₈" (98mm) W x

3⁵/₁₆" (84mm) D

(Note: Volume control knob will add approx. 3/4" - 1" depth depending on control shaft length)

Designed for use with Class 2 wiring only

NXG
TECHNOLOGY

16648 North 94th Street
Scottsdale, AZ 85260
1-800-733-0008

www.nxgtech.com