

# NX-IMH12 Audio Distribution Panel

Congratulations on choosing the NX-IMH12 Audio Distribution Panel. Like all NXG products, great care has been taken in its design. We hope the combination of advanced engineering and state-of-the-art materials will provide you with a lifetime of listening pleasure.

## Introduction

The NX-IMH12 is a stereo (two channel), one input twelve output, resistor based, broad frequency response, impedance matching audio distribution panel. The NX-IMH12 provides a simple solution in complex speaker installations providing an easy way to connect from two to twelve pairs of stereo speakers to a single stereo receiver/amplifier. All outputs are labeled easing both connection and troubleshooting of a system.

## Features and Benefits

- 12 - Zone, 200 watt, stereo, audio distribution panel
- Resistor based automatic impedance matching design prevents amplifier overload and delivers wide dynamic range
- Isolated left/right circuit grounds provide safe connection for amplifiers with floating grounds or bridged configurations
- Detachable screw-type connectors accept up to 12 AWG wire
- High quality heavy-duty painted steel cabinet with ventilated cover for improved heat dissipation
- 3/4" and 1/2" cable/conduit knockouts allow easy wire routing to all connectors
- Cabinet may be surface, side, or flush mounted
- Designed for use with Class 2 wiring

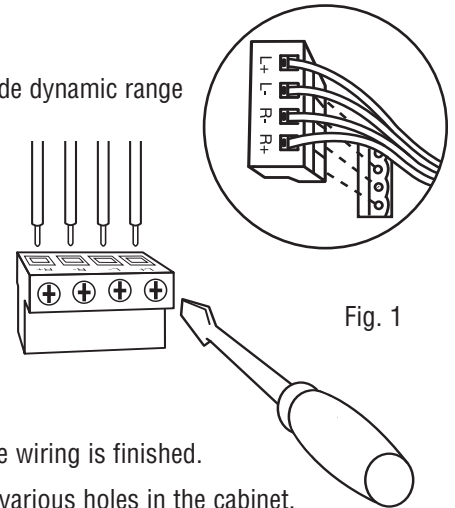


Fig. 1

## Mounting & Wiring Instructions

1. Remove the ventilated cover plate using the four thumbscrews and set everything aside until the wiring is finished.
2. Determine where you want the NX-IMH12 mounted and secure it to the wall or studs using the various holes in the cabinet.
3. Follow the suggestions that came with your receiver or speakers for determining the correct wire gauge needed to connect your NX-IMH12 distribution panel. If necessary, you may want to consult a manufacturer's wire chart to determine the minimum wire gauge needed to minimize loss for long runs, which may be necessary to connect to the NX-IMH12 in a basement location.

4. Make all wire runs from each speaker location and your receiver/amplifier to your NX-IMH12 panel.

5. Remove the NX-IMH12 knockouts you need to get your wire into the panel depending on the location of your panel and the wire entry. If you are using conduit, use the proper fittings and pull all wire into the box with enough extra wire to dress and terminate later. If you are not using conduit, then use the supplied plastic grommets in the panel openings you knock out to protect the wire from damage when it's pulled through the panel holes.

6. Remove the connector blocks from the NX-IMH12 panel PC boards and make all the connections to the connector blocks as shown in Fig. 1. (If your receiver or amplifier has both A & B outputs connect your NX-IMH12 to your receiver's "A" outputs.) Pay close attention to make certain all strands of bare wire are completely inserted into the connector properly and that no loose strands are outside the connector hole. Any loose strands could possibly touch another wire and short the receiver's output. After you have tightened the screw terminals to secure the wires, insert the connector block back into NX-IMH12 as shown in Fig 2.

7. Once you have verified everything is working properly, you can put the cover plate back on the NX-IMH12 cabinet.

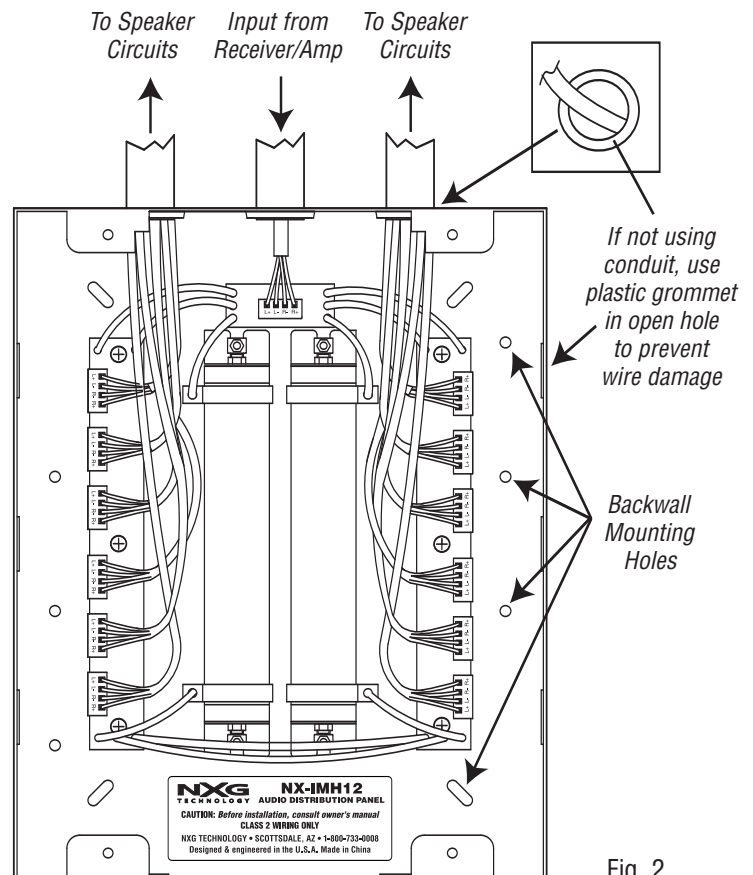


Fig. 2

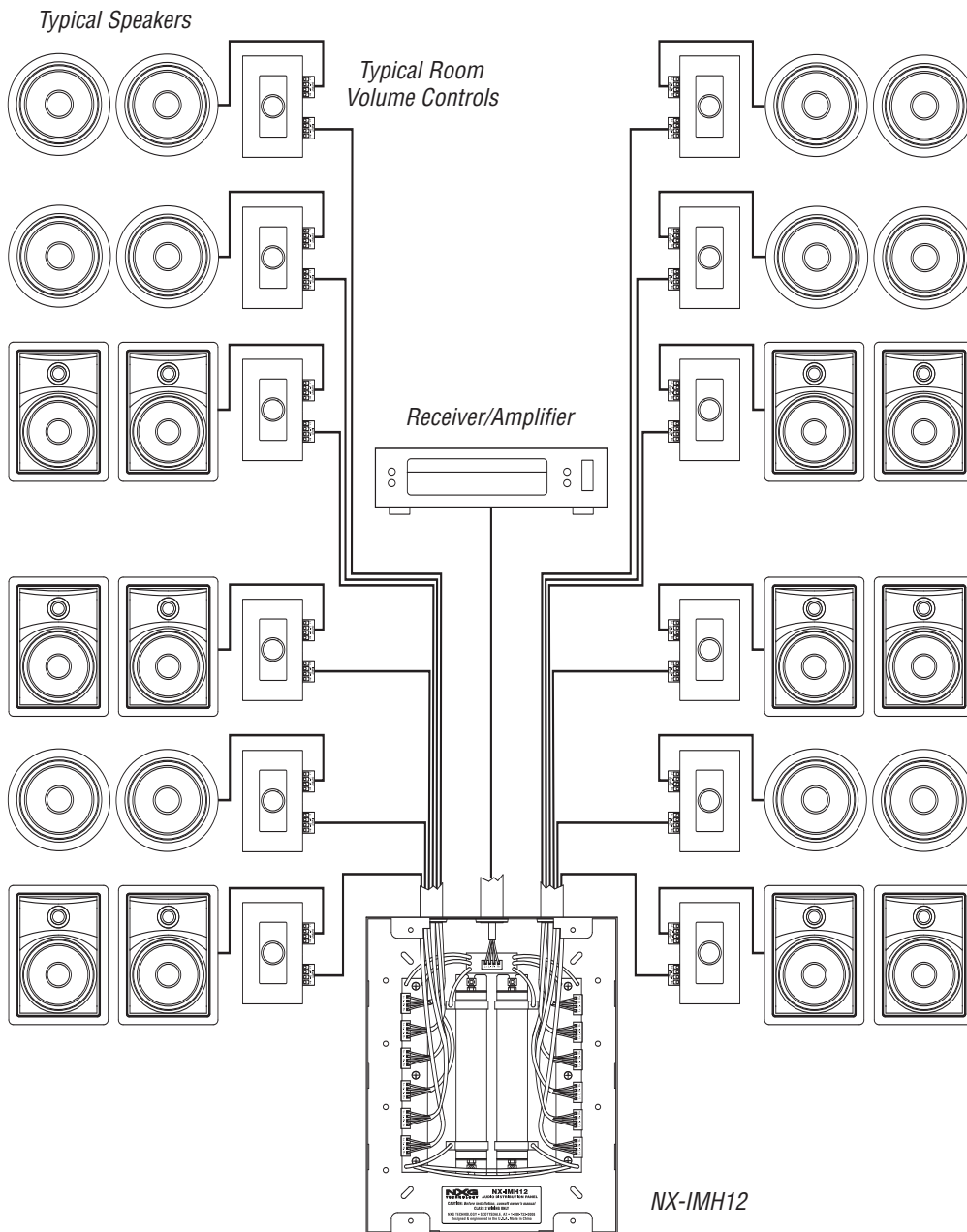


Fig. 3 Typical System Diagram for the NX-IMH12 Audio Distribution Panel

### ***NX-IMH12 Specifications***

**Power Handling:** 120 watts RMS per channel  
(suitable for use with 200 watt per channel rated receivers/amplifiers)

**Frequency Response:** 20 Hz - 22kHz (+0dB, -0dB)

**Wire size acceptance:** 2 or 4 conductor, stranded, 16 AWG to 12 AWG

**Dimensions:** 12<sup>1</sup>/<sub>4</sub>" (311mm) H x 9<sup>9</sup>/<sub>16</sub>" (243mm) W x 3" (76mm) D

**Maximum Number of Speaker Connections:** 12 pairs @ 4 Ω minimum

**Maximum Amplifier Impedance with All Zones Connected:**

4.7 Ω with 8 Ω speakers connected

4.3 Ω with 4 Ω speakers connected

**Designed for use with Class 2 wiring only**

### ***NXG One-Year Limited Warranty***

If the NXG product proves to be defective in workmanship or materials within one year from the date of the original customer's purchase, we will, at our option, repair or replace the defective product.

### ***Limitation of Implied Warranties***

Any implied warranties, including warranties of merchantability and fitness for a particular purpose, are limited in duration to the length of this warranty.

### ***Exclusion of Certain Damages***

NXG's liability for any defective product is limited to repair or replacement of the product at our option. NXG shall not be liable for incidental or consequential damages of any kind or character because of product defects. Some states do not allow limitations on how long an implied warranty lasts and/or do not allow the exclusion or limitation of incidental or consequential damages, so the above limitations and exclusions may not apply.

### ***This Warranty Does Not Cover:***

- Damage caused by abuse, accident, misuse, negligence, or improper operation.
- Any product whose serial number has been altered, defaced, or removed.
- Products that have been altered or modified.
- Normal wear and maintenance.
- Damages caused by shipping. (All claims for shipping damage must be made with the carrier.)

### ***Warranty Service***

Warranty service must be performed by an authorized service center, usually a NXG dealer or its authorized agent. You may obtain a list of authorized service centers by contacting NXG. All warranty repairs must be accompanied by the original bill of sales. No other document is acceptable or is required. This warranty gives you specific legal rights, and you may also have other rights which vary from state to state.

*NXG reserves the right to revise specifications without notice.*

**NXG**  
TECHNOLOGY

16648 North 94th Street  
Scottsdale, AZ 85260  
1-800-733-0008

[www.nxgtech.com](http://www.nxgtech.com)